

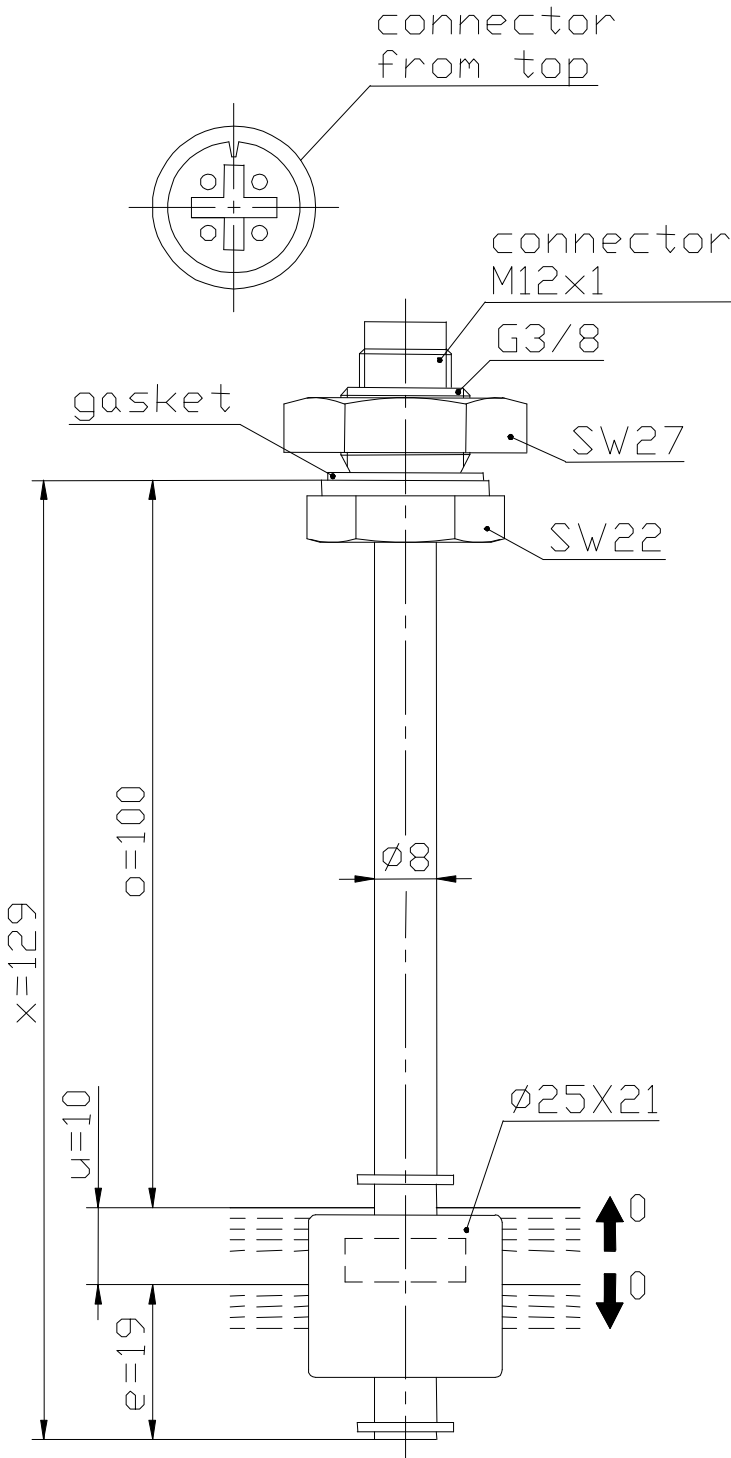
Technical Data

Float Switch

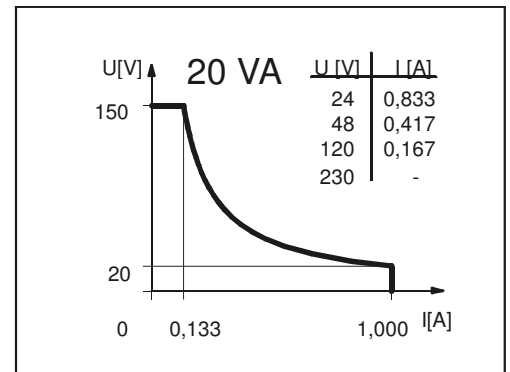
Mini-level float switches

Description **MSK1-MS-R3/8ST-SO 0129**

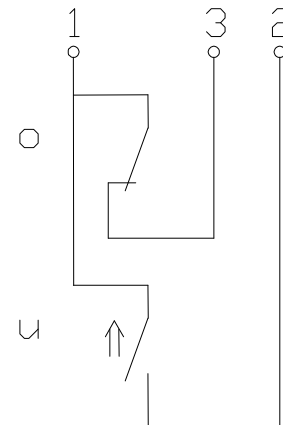
Article number **6891213007**



Performance diagram
(maximum data)



Wiring diagram
(matching to the drawing)



Subject to change without notice.

Date of issue : 04.04.2006 / Page 1 of 2
Document : 6891213007_en.doc / Last update : 2

Mini-level float switches

Description **MSK1-MS-R3/8ST-SO 0129** Article number **6891213007**

Electrical data

Reed contact	max. switching voltage	150 V
	max. switching current	1,0 A
	max. switching capacity	20 VA
	mechanical life	10 ⁷ to 10 ⁹ switches depending on the load
Switching element		1 normally closed contact, rising level 1 normally closed contact, falling level
Direction category		AC-22A and DC-22A acc to DIN VDE 0660 T107
Standard		acc to DIN VDE 0660 T200

Mechanical data

Screw connection material	2.0401 (CuZn39Pb3)
Hexagon nut material	2.0401 (CuZn39Pb3)
Switching tube material	2.0321 (CuZn37)
Float material	PP
-density	about 0,53 g/cm ³ ±10%
-depth of immersion	12 mm ±2 mm (to a fluid-density of 1 g/cm ³)
Grip screw material	X35CrMo17 (1.4122)
Gasket material	NBR
Ambient air temperature	-5°C to +60°C
Liquid temperature	-5°C to +60°C
Connection	Connector M12x1
Protection type	IP 65 acc to DIN VDE 0470 T1 only with female socket
Max. pressure	5 bar

General details

Repeatability of switching points is ±0,05mm based on the same geometrical conditions as of a switch device.
The measures of the switching points refer to a fluid-density of 1 g/cm³.
The tolerance of the switching points is ±2mm
Pay attention to the contact protection, when switching inductive loads. Maximum data must not be exceeded!