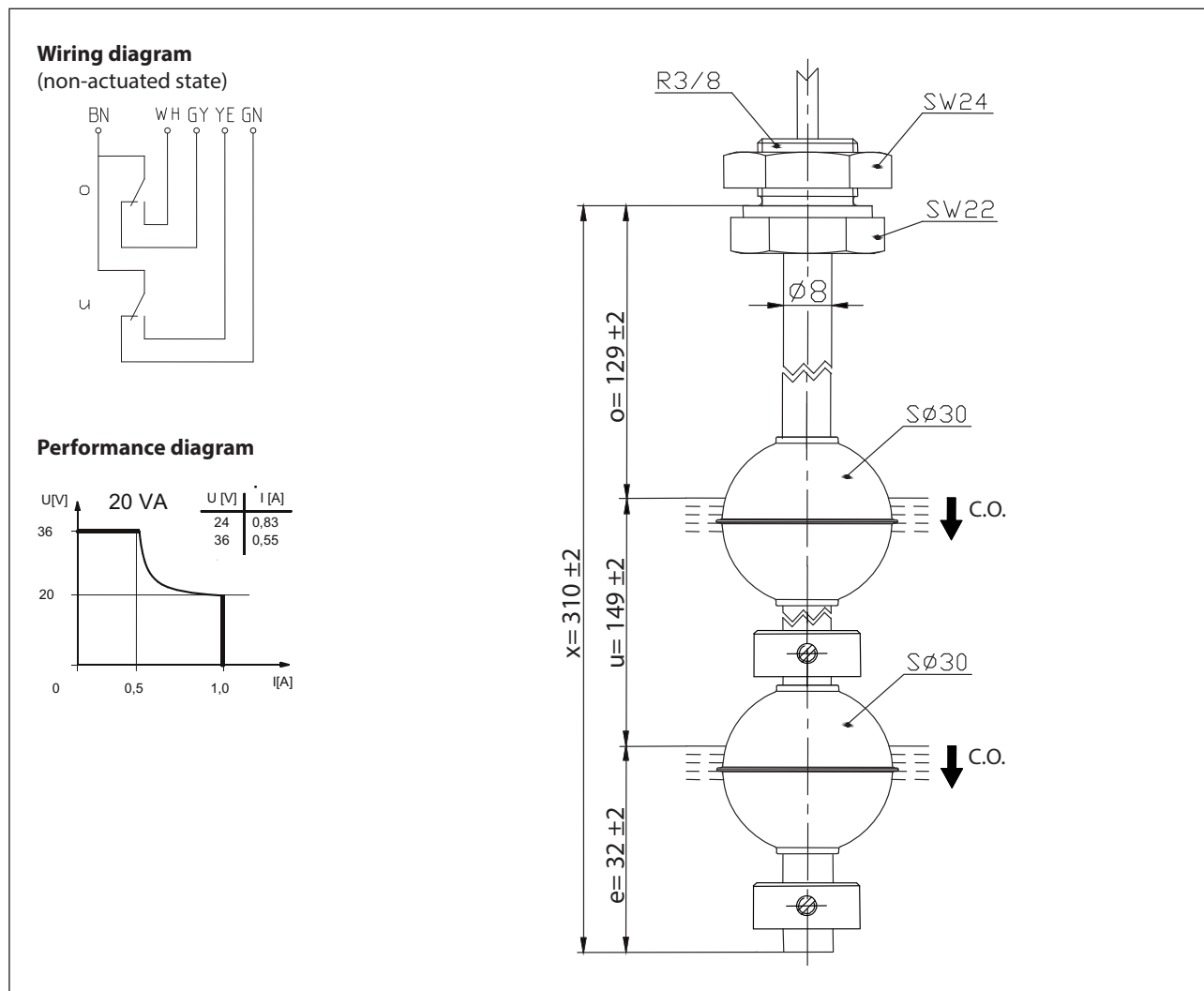


Float switch

Series Miniature-Float switch

Description **MSN1-NI-R3/8-2U 0310**

Article number **6891173026**



Electrical data		
Rated voltage	U_r	36 V
max. switching current		1,0 A
max. switching capacity		20 VA
Rated insulation voltage	U_i	50 V AC
Rated impulse withstand voltage	U_{imp}	500 V AC
Overvoltage category		II
mechanical life		10^7 to 10^9 switches
Switching element		2 C.O., falling level

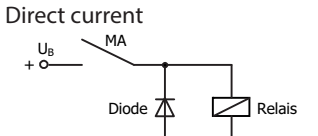
Mechanical data	
Screw connection material	X6CrNiMoTi17-12-2 (1.4571)
Hexagon nut material	X8CrNiS18-9 (1.4305)
Switching tube material	X6CrNiMoTi17-12-2 (1.4571)
Float material	X6CrNiMoTi17-12-2 (1.4571)
- density	about 0,65 g/cm ³ ±10 %
- depth of immersion	18 mm ± 2 mm (to a fluid-density of 1 g/cm ³)
Adjusting ring material	X6CrNiMoTi17-12-2 (1.4571)
Ambient air temperature	-5 °C to +60 °C
Liquid temperature	-5 °C to +60 °C
Connection	Cable 5 x 0,25 mm ² x 2 m ±5 %, PVC
Protection type	IP 65 acc. to IEC529 / EN 60529
Max. pressure	5 bar

General details

The measures of the switching points refer to a fluid-density of 1 g/cm³.
 Only use in circuits with protective separation and in range with local potential equalization.
 The tolerance of the switching points is ±2 mm
 Pay attention to the contact protection, when switching inductive or capacitive loads. Maximum data must not be exceeded!

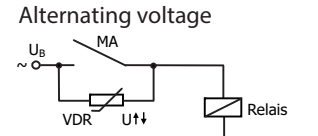
Inductive loads

Direct current

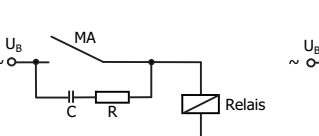


Suppression of voltage peaks with a free-wheeling diode

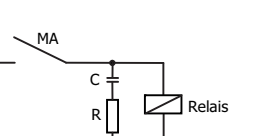
Alternating voltage



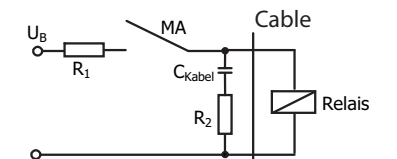
Suppression of voltage peaks with a VDR



Suppression of voltage peaks with an RC element



Capacitive loads and lamp loads



Contact protection with resistors for limiting current

