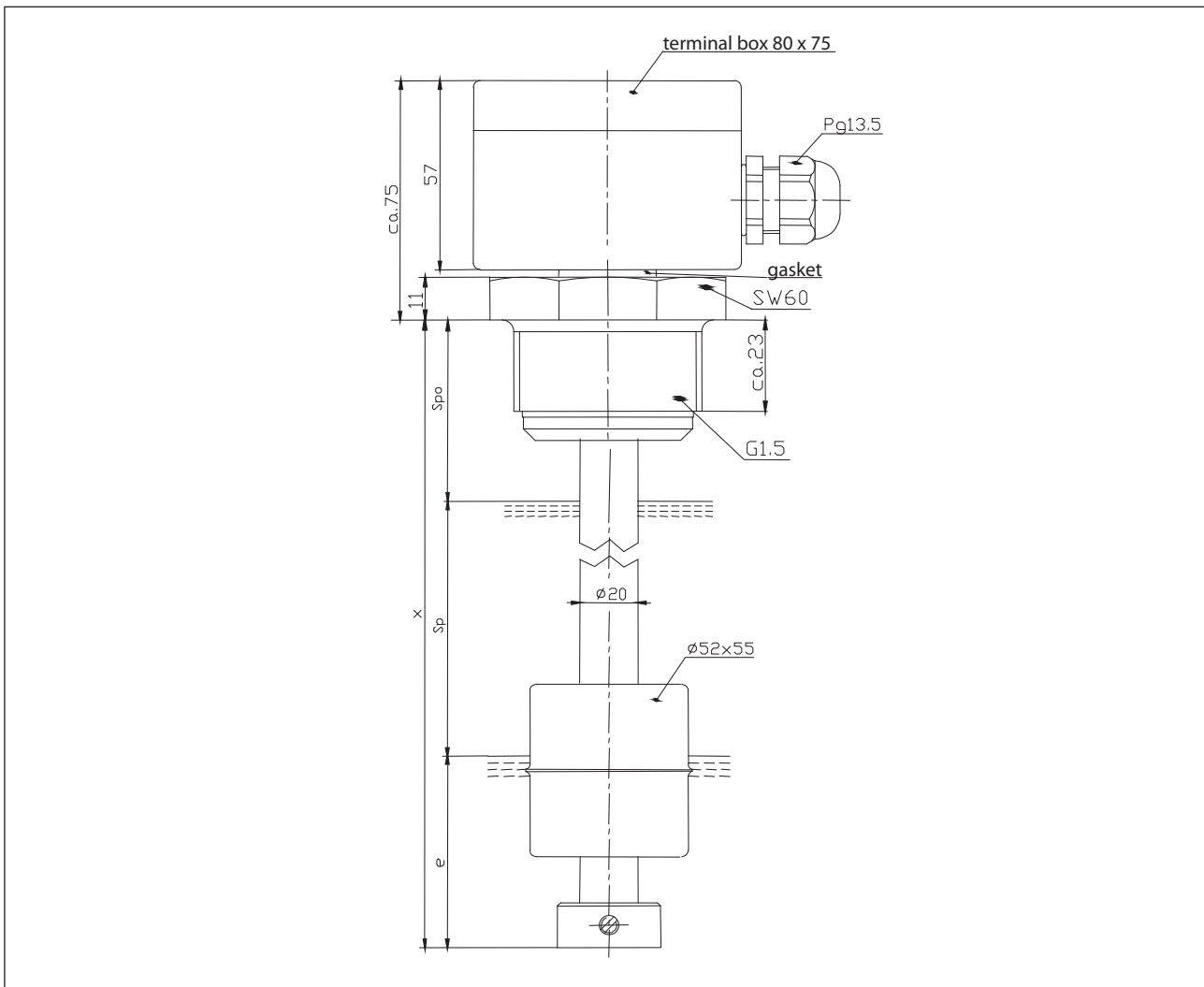


## Float switch

### Series Adjustable-Float switch

Description **MAD-VST-R1,5/0400**

Article number **6880322026**



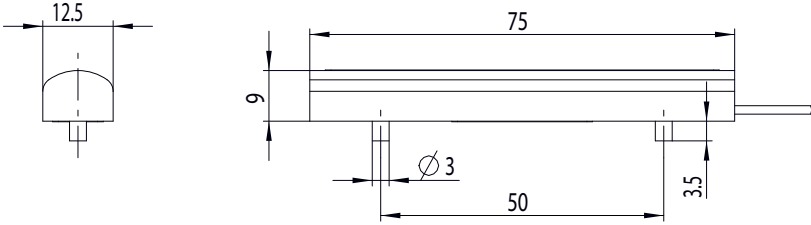
#### Dimensions

Tube length	x	400 mm
Switching point	Sp	≥ 80 mm
End length	e	≥ 60 mm
Top switching point	Spo	≥ 70 mm

**The Switching points are adjustable in 10 mm increments.**

Mechanical data	
Bolting material	PVC
Switching tube material	PVC
Float material	PVC
- density	about 0,75 g/cm <sup>3</sup> ±10 %
- depth of immersion	29 mm ± 2 mm ( to a fluid-density of 1 g/cm <sup>3</sup> )
Gasket material	NBR
Adjusting ring material	PVC
Ambient air temperature	-5 °C to +60 °C
Liquid temperature	-5 °C to +60 °C
Connection	Connecting block inside the terminal box
Protection type	IP 65 acc to IEC529 / EN 60529
Max. pressure	5 bar

General details
<p>Maximum data must not be exceeded!                      At assembly the switching modules the requirements according to DIN VDE 100 are to be observed.</p>

Accessories (not included)	
	
Switching module • 4910007069 • 4916007075	N.C. / N.O. – position dependent Changeover switch
Number of possible switching modules	Depends on the fitting length x (see page 1), but max. 4 switching modules.