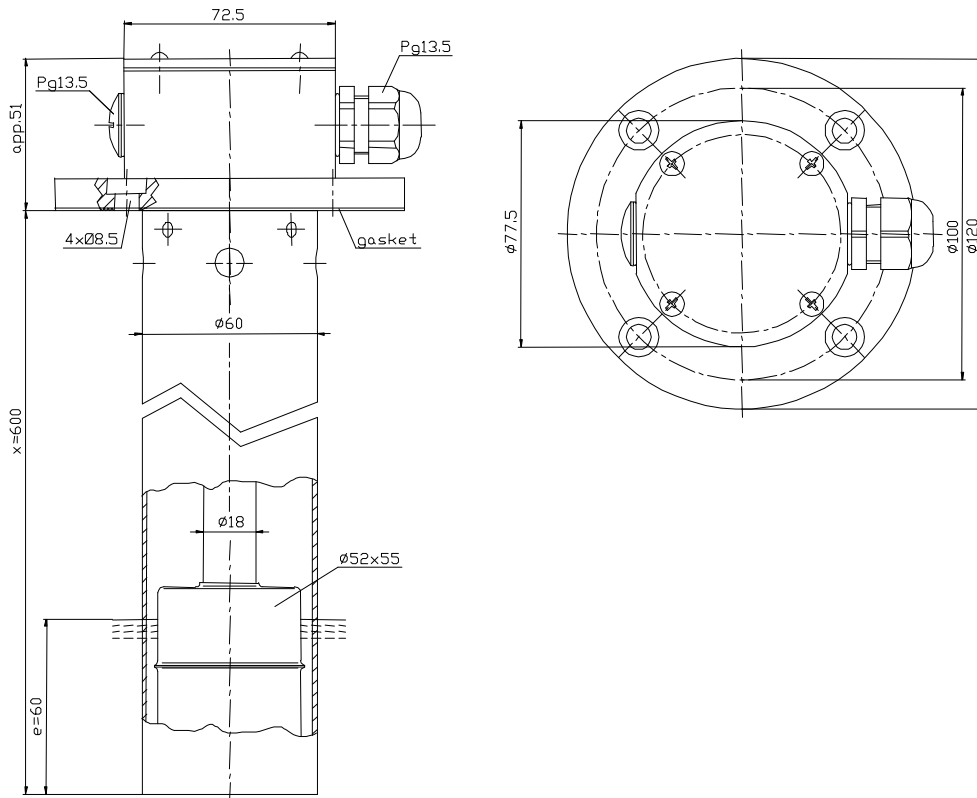


Adjustable float switches

Description **MAP-VST-FLS120/600**

Article number **6880226007**



Electrical data

Reed contact	mechanical life	10^7 to 10^9 switches depending on the load
Switching function		adjustable switching points on a 10mm scale
Matching switching modules		ATTENTION! Devices without switching modules. Art.-Nr.: 491.0007.069 N.O. / N.C. contact Art.-Nr.: 491.6007.075 switch-over contact
Standard		There are separate data sheets for the technical data of the switching modules. Please request. acc. to DIN VDE 0660 T200 IEC 947-5-1, EN 60947-5-1

Mechanical data

Terminal box material	GK-AISI12 (3.2581.02)
Screw connection material	PA
Switching tube material	CuZn37 (2.0321)
Protective conduit material	aluminium
Float material	X6CrNiMoTi17-12-2 (1.4571)
-density	about 0,6 g/cm ³ ±10%
-depth of immersion	33 mm ±2 mm (to a fluid-density of 1 g/cm ³)
Gasket material	NBR
Ambient air temperature	-5°C to +100°C
Liquid temperature	-5°C to +100°C
Protection type	IP 65 acc to DIN VDE 0470 T1 IEC 529, EN 60529
Max. pressure	5 bar

General details

Repeatability of switching points is $\pm 0,05$ mm based on the same geometrical conditions as of a switch device.
The measures of the switching points refer to a fluid-density of 1 g/cm³.
The tolerance of the switching points is ± 2 mm
Pay attention to the contact protection, when switching inductive loads. Maximum data must not be exceeded!

Subject to change without notice.

Date of issue : 22.03.2007 / Page 1 of 1
Document : 6880226007_en.doc / Last update : 1