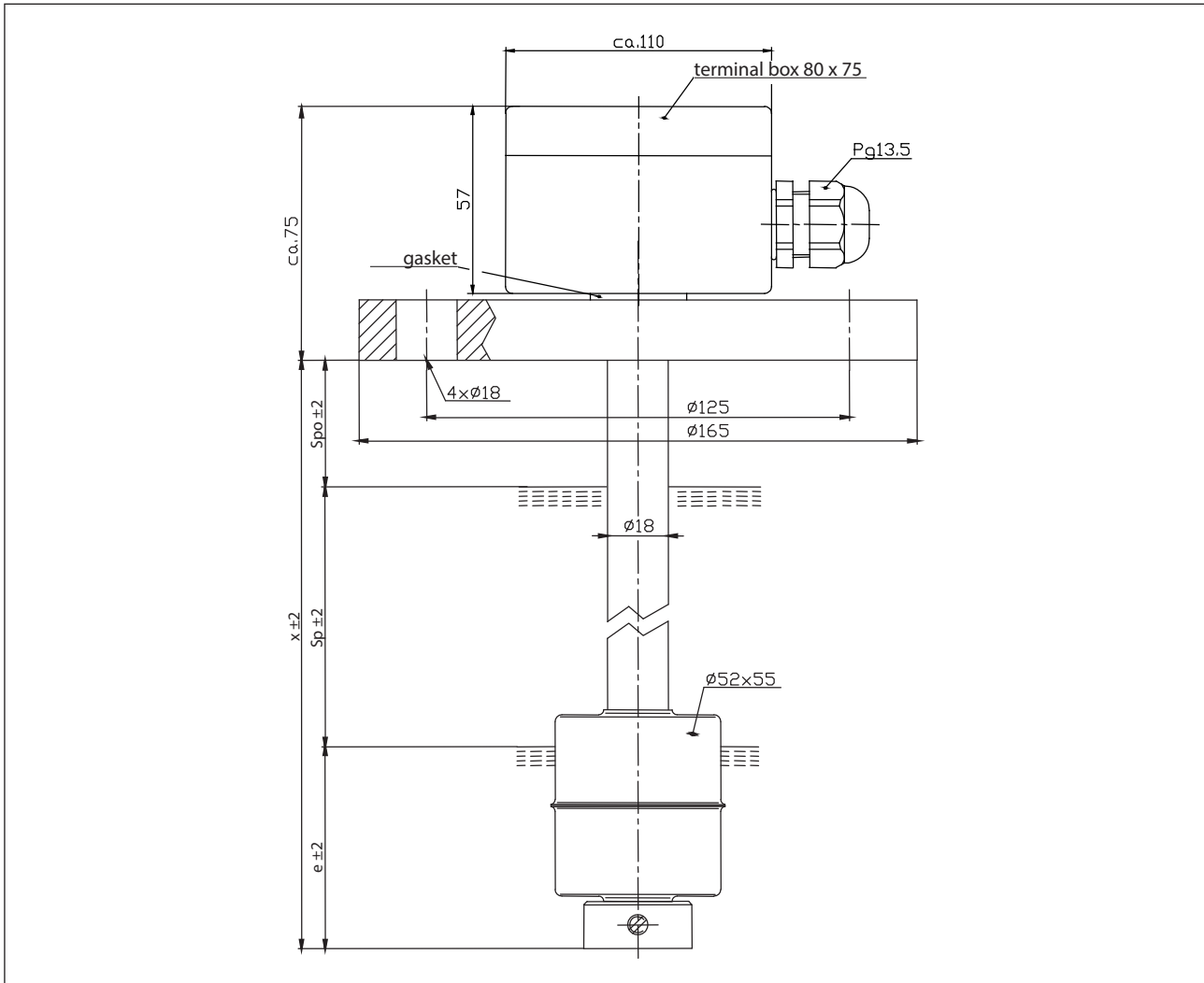


Float switch

Series Adjustable-Float switch

Description **MAN-VST-FL165/0250**

Article number **6880123003**



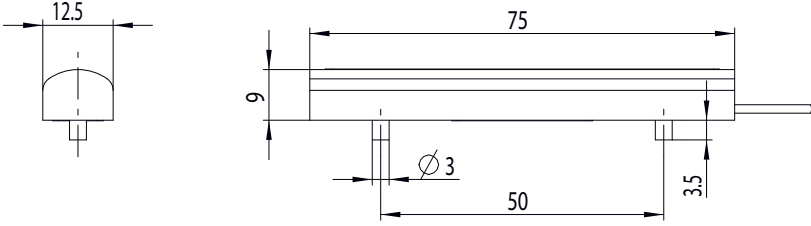
Dimensions

Tube length	x	250 mm
Switching point	Sp	≥ 80 mm
End length	e	≥ 60 mm
Top switching point	Spo	≥ 70 mm

The Switching points are adjustable in 10 mm increments.

Mechanical data	
Housing material	Aluminium
Flange material	X 6 CrNiMoTi 17 12 2 (1.4571)
Bolting material Pg13,5	PA6
Switching tube material	X 6 CrNiMoTi 17 12 2 (1.4571)
Float material	X 6 CrNiMoTi 17 12 2 (1.4571)
- density	about 0,6 g/cm ³ ±10 %
- depth of immersion	33 mm ± 2 mm (to a fluid-density of 1 g/cm ³)
Gasket material	Klingersil C-4400 and NBR
Adjusting ring material	X 6 CrNiMoTi 17 12 2 (1.4571)
Ambient air temperature	-5 °C to +60 °C
Liquid temperature	-5 °C to +60 °C
Connection	Connecting block inside the terminal box
Protection type	IP 65 acc to IEC529 / EN 60529
Max. pressure	10 bar

General details
Maximum data must not be exceeded! At assembly the switching modules the requirements according to DIN VDE 100 are to be observed.

Accessories (not included)	
	
Switching module	N.C. / N.O. – position dependent
<ul style="list-style-type: none"> • 4910007069 • 4916007075 	Changeover switch
Number of possible switching modules	Depends on the fitting length x (see page 1), but max. 4 switching modules.