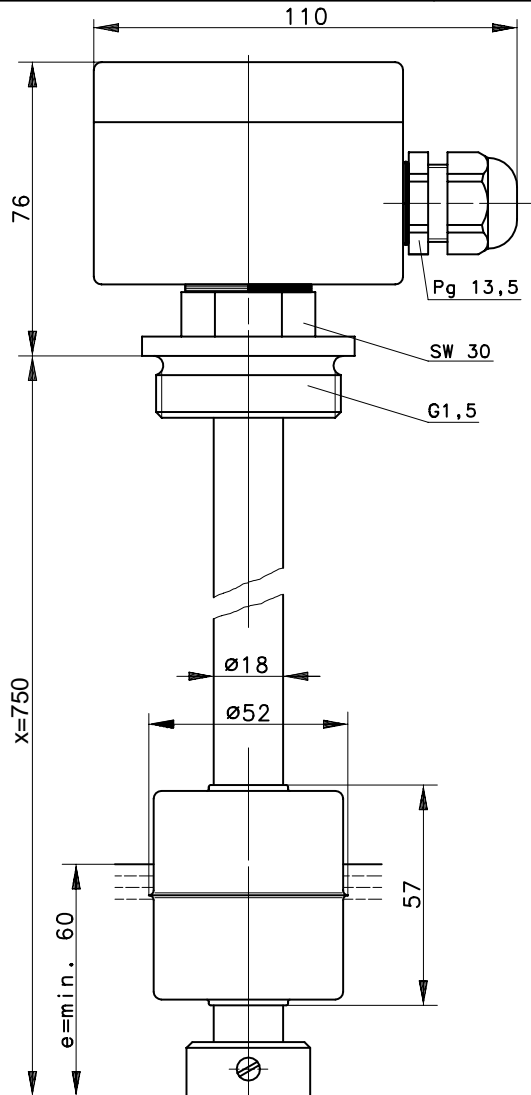
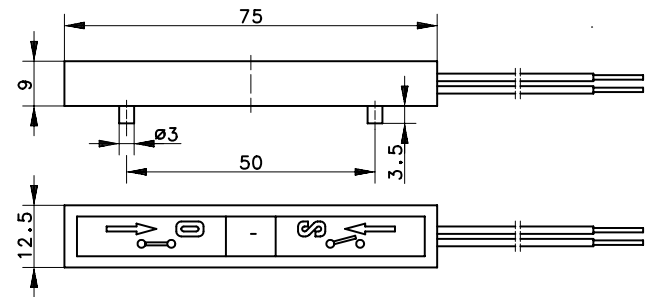
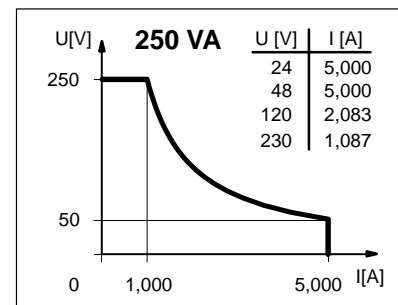


Type: **MAN-VST-G1.5/0750**Art.-No.: **688.0122.004** levelswitch
491.0007.069 switchingDate: **07/98****Switching****Switching diagramme****Technical Data:**

Max. Voltage : 250 V
 Max. Switch Current : 5 A (2ms)
 Max. Switching : 250 VA
 Direction Category : AC-22A and DC-22A acc. DIN VDE 0660 T107 IEC 947-3-1, EN 60947-3-1

Pay attention to the contact protection, when switching inductive loads.

Protection : IP 65 acc. to DIN VDE 0470 T1 IEC 529, EN 60529

Output function : 1 bistable N.O. , falling / rising level (wires on top)

Temperature range : -5°C ... +100°C

mech. Lifetime : 10⁷-10⁹ switchings depends the load

Repeat Accuracy : ±0.05mm (only under same geometrical conditions)

Mechanical Data:

Housing : PA
 Termination Type : 2.1m PVC-wire 0.56mm²
 Standard : acc. DIN VDE 0660 T200 IEC 947-5-1, EN 60947-5-1

The switching contacts have to be operated onetime before starting with regular use. The switching function N.O. or N.C. can be changed by turning the switching by 180°.

Technical Data:

Max. Voltage : } see switching module
 Max. Switch Current : } (have to be ordered separatly)
 Max. Switching : }
 Protection class : IP 65 acc. to DIN VDE 0470 T1 IEC 529, EN 60529
 Output function : - adjustable switching points, on a 10mm scale.
 - N.O. or N.C., switch-over contacts on request
 Temperature range : -5°C ... +100°C

Mechanical Data:

Switching tube : Stainless Steel 1.4571
 Tankscrewing G1,5 : Stainless Steel 1.4571
 Float : Stainless Steel 1.4571
 Terminal box : Aluminium
 Norm : acc. DIN VDE 0660 T200 IEC 947-5-1, EN 60947-5-1