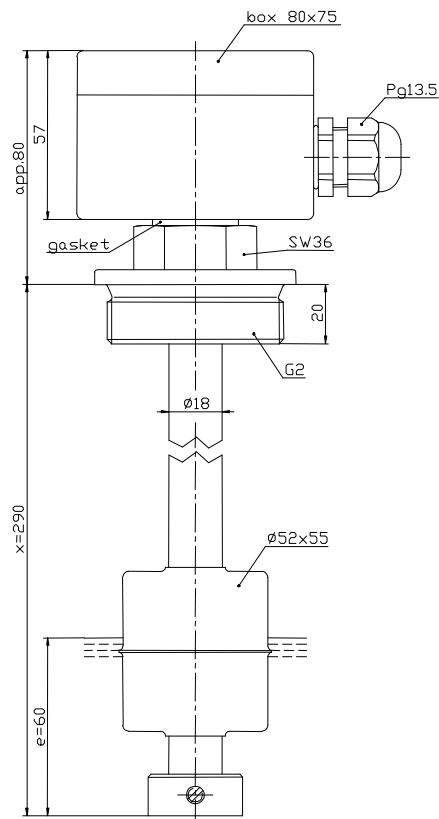


Adjustable float switches

Description **MAN-VST-R2,0/0290**

Article number **6880121035**



Electrical data

Reed contact	mechanical life	10^7 to 10^9 switches depending on the load
Switching function		switching moduls adjustable in a 10mm pattern
		moduls: Art.-Nr.: 491.0007.069 (normaly open / normaly closed)
		491.6007.075 (Umschalter)

Mechanical data

Terminal box material	GD-AISi 12 (3.2581.05)
Screw connection material G2	X 6 CrNiMoTi 17 12 2 (1.4571)
Screw connection material Pg13,5	PA
Switching tube material	X 6 CrNiMoTi 17 12 2 (1.4571)
Float material	X 6 CrNiMoTi 17 12 2 (1.4571)
-density	about 0,6 g/cm ³ ±10%
-depth of immersion	33 mm ±2 mm (to a fluid-density of 1 g/cm ³)
Adjusting ring material	X 6 CrNiMoTi 17 12 2 (1.4571)
Grip screw material	NBR
Ambient air temperature	-5°C to +100°C
Liquid temperature	-5°C to +100°C
Connection	connection block inside the terminal box
Protection type	IP 65 acc to DIN VDE 0470 T1
Max. pressure	5 bar

General details

Repeatability of switching points is $\pm 0,05$ mm based on the same geometrical conditions as of a switch device.
 The measures of the switching points refer to a fluid-density of 1 g/cm³.
 The tolerance of the switching points is ± 2 mm
 Pay attention to the contact protection, when switching inductive loads. Maximum data must not be exceeded!

Subject to change without notice.

Date of issue : 22.03.2007 / Page 1 of 1
 Document : 6880121035_en.doc / Last update : 2