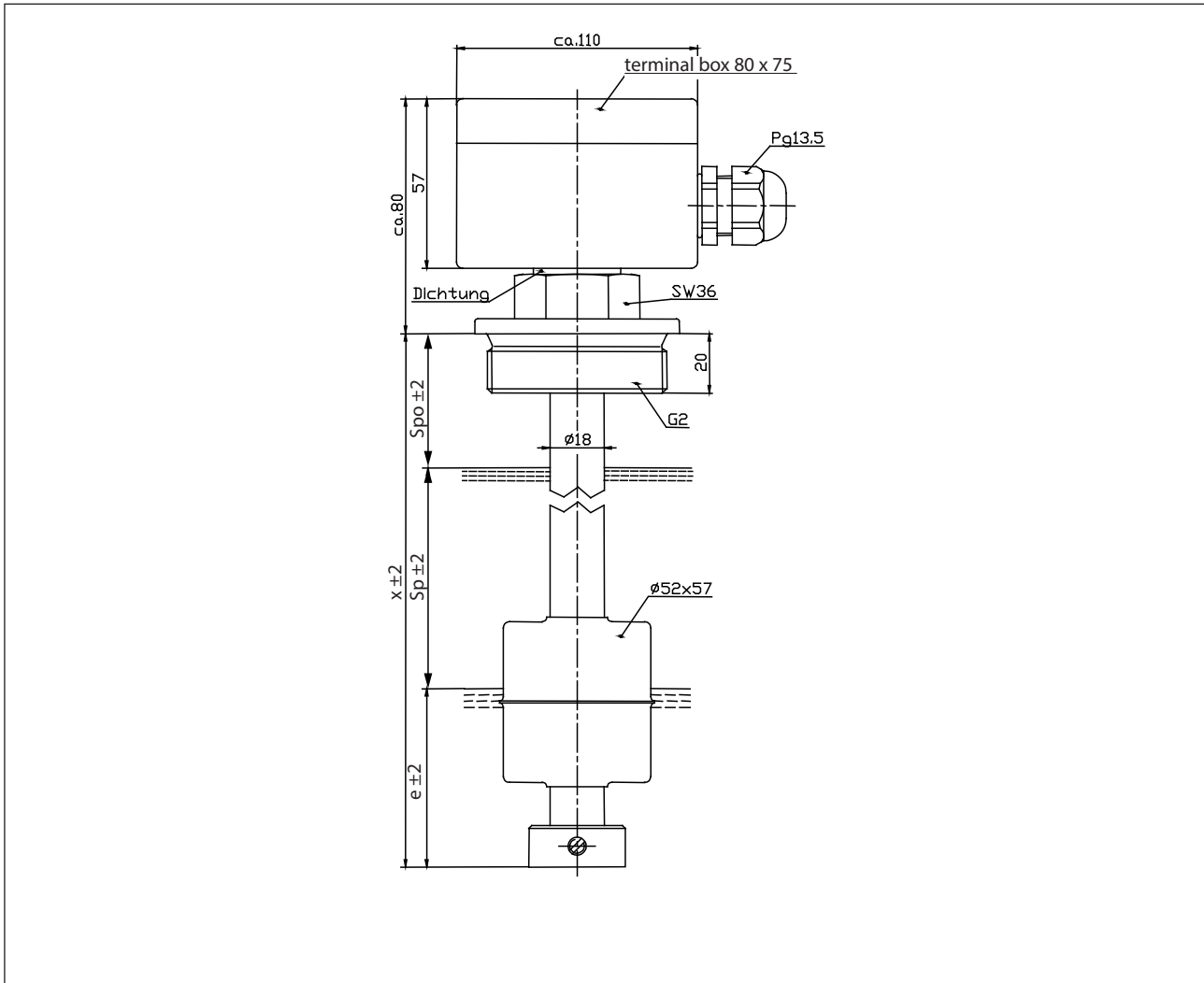


## Float switch

### Series Adjustable-Float switch

Description **MAN-VST-R2,0/0300**

Article number **6880121019**



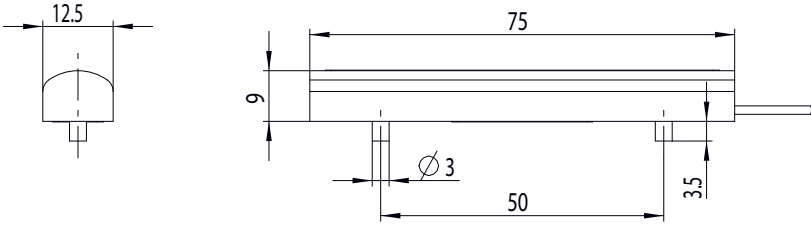
#### Dimensions

Tube length	x	300 mm
Switching point	Sp	≥ 80 mm
End length	e	≥ 60 mm
Top switching point	Sp <sub>o</sub>	≥ 70 mm

**The Switching points are adjustable in 10 mm increments.**

Mechanical data	
Terminal box material	GD-AlSi 12 (3.2581.05)
Bolting materia G2	X 6 CrNiMoTi 17 12 2 (1.4571)
Bolting material Pg13,5	PA
Switching tube material	X 6 CrNiMoTi 17 12 2 (1.4571)
Float material	X 6 CrNiMoTi 17 12 2 (1.4571)
- density	about 0,6 g/cm <sup>3</sup> ±10 %
- depth of immersion	35 mm ± 2 mm ( to a fluid-density of 1 g/cm <sup>3</sup> )
Gasket material	Klingersil and NBR
Adjusting ring material	X 6 CrNiMoTi 17 12 2 (1.4571)
Ambient air temperature	-5 °C to +100 °C
Liquid temperature	-5 °C to +100 °C
Connection	Connecting block inside the terminal box
Protection type	IP 65 acc to IEC529 / EN 60529
Max. pressure	12 bar

General details
Maximum data must not be exceeded! At assembly the switching modules the requirements according to DIN VDE 100 are to be observed.

Accessories (not included)	
	
Switching module	N.C. / N.O. – position dependent Changeover switch
<ul style="list-style-type: none"> <li>• 4910007069</li> <li>• 4916007075</li> </ul>	
Number of possible switching modules	Depends on the fitting length x (see page 1), but max. 4 switching modules.