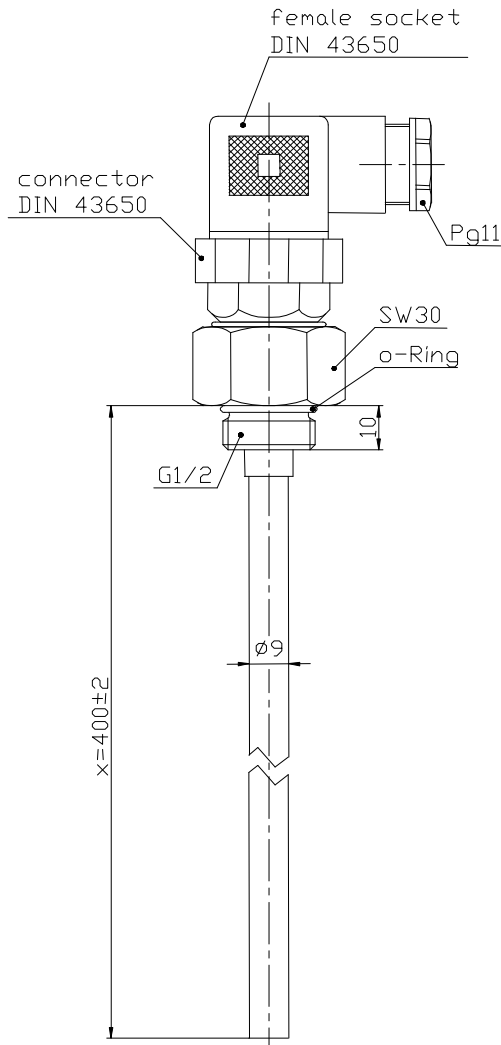


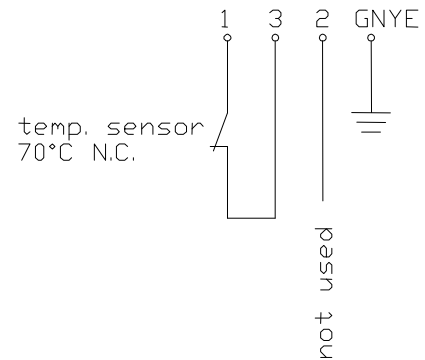
Temperature sensor

Description **TS-MS-G1/2-70-O-0400**

Article number **686000022**



Wiring diagram



Electrical data

temp. sensor	max. switching voltage	250 V
	max. switching current	2,5 A
	max. switching cycle	10000
	switching temperature range	70 °C normally closed contact
	standard switching tolerance	±5 °C
	standard reset temperature	40 °C ±15 °C
	Function	1 temp. sensor, normally closed contact 70 °C

Mechanical data

Screw connection material	CuZn39Pb3 (2.0401)
Switching tube material	CuZn37 (2.0321)
Gasket material	NBR
Ambient air temperature	-5 °C to +80 °C
Liquid temperature	-5 °C to +80 °C
Connection	plug-in connection acc. to DIN 43650
Protection type	IP 65 acc. to DIN VDE 0470 T1 only with female socket

Subject to change without notice.

Date of issue : 11.03.2008 / Page 1 of 1
Document : 686000022_en.doc / Last update : 2