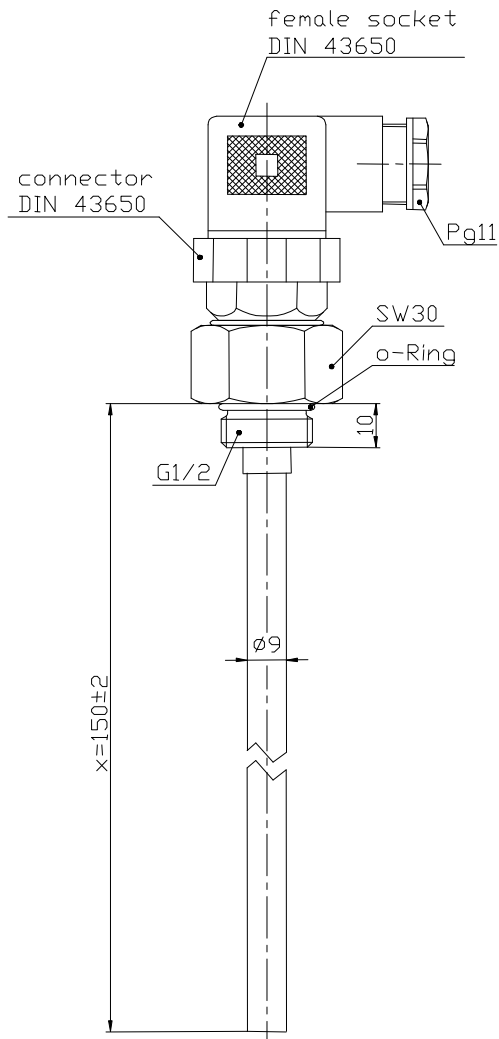


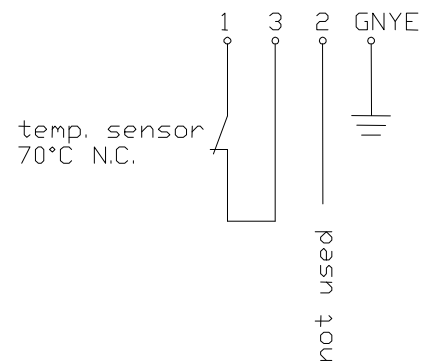
Temperature sensor

Description **TS-MS-G1/2-70-O-0150**

Article number **686000021**



Wiring diagram



Electrical data

| | | |
|--------------|------------------------------|---|
| temp. sensor | max. switching voltage | 250 V |
| | max. switching current | 2,5 A |
| | max. switching cycle | 10000 |
| | switching temperature range | 70 °C normally closed contact |
| | standard switching tolerance | ±5 °C |
| | standard reset temperature | 40 °C ±15 °C |
| Function | | 1 temp. sensor, normally closed contact 70 °C |

Mechanical data

| | |
|---------------------------|--|
| Screw connection material | CuZn39Pb3 (2.0401) |
| Switching tube material | CuZn37 (2.0321) |
| Gasket material | NBR |
| Ambient air temperature | -5 °C to +80 °C |
| Liquid temperature | -5 °C to +80 °C |
| Connection | plug-in connection acc. to DIN 43650 |
| Protection type | IP 65 acc. to DIN VDE 0470 T1 only with female socket |

Subject to change without notice.

Date of issue : 11.03.2008 / Page 1 of 1
Document : 686000021_en.doc / Last update : 2