

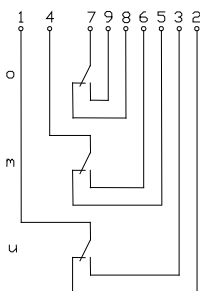
Float switch

Series Standard-Float switch

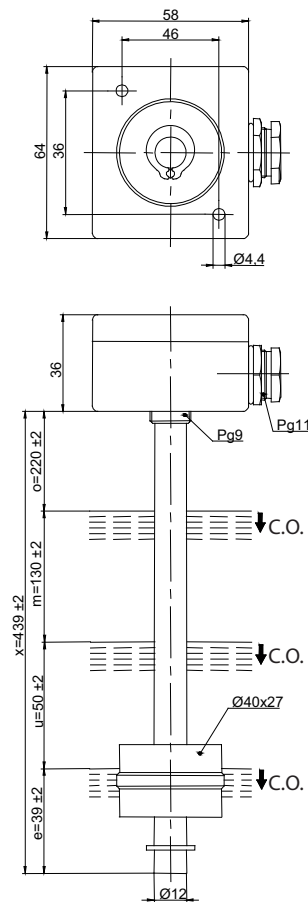
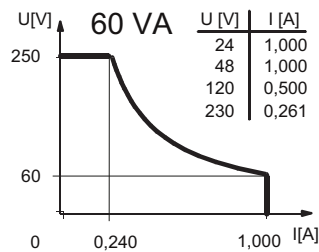
Description **MAM-733 LYS 0439**

Article number **6836210029**

Wiring diagram (non-actuated state)



Performance diagram



Electrical data			
Rated voltage	U_r	250 V	
max. switching current		1,0 A	
max. switching capacity		60 VA	
min. switching capacity		3 VA	
Rated insulation voltage	U_i	300 V AC	
Rated impulse withstand voltage	U_{imp}	2,5 kV AC	
Overvoltage category		II	
Switching element		3 C.O., falling level	
Protection class		I	

Mechanical data	
Housing material	Aluminium coated RAL 7001
Switching tube material	CuZn37 (CW508L)
Float material	POM
- density	about 0,7 g/cm ³ ±10 %
- depth of immersion	18 mm ± 2 mm (to a fluid-density of 1 g/cm ³)
Grip screw material	CuSn8 (CW453K)
Gasket material	NBR
Ambient air temperature	-5 °C to +60 °C
Liquid temperature	-5 °C to +60 °C
Connection	Connecting block inside the terminal box
Protection type	IP 65 acc to IEC529 / EN 60529
Max. pressure	10 bar

Standards
DIN EN 60947-5-1

EU Conformity
acc. to directive 2014/35/EU (Low-Voltage-Directive)

General details
The measures of the switching points refer to a fluid-density of 1 g/cm ³ . The tolerance of the switching points is ±2 mm Pay attention to the contact protection, when switching inductive or capacitive loads. Maximum data must not be exceeded!

Inductive loads
<div style="display: flex; justify-content: space-around;"> <div style="text-align: center;"> <p>Direct current</p> <p>Suppression of voltage peaks with a free-wheeling diode</p> </div> <div style="text-align: center;"> <p>Alternating voltage</p> <p>Suppression of voltage peaks with a VDR</p> </div> <div style="text-align: center;"> <p>Suppression of voltage peaks with an RC element</p> </div> </div>

Capacitive loads and lamp loads
<p>Contact protection with resistors for limiting current</p>