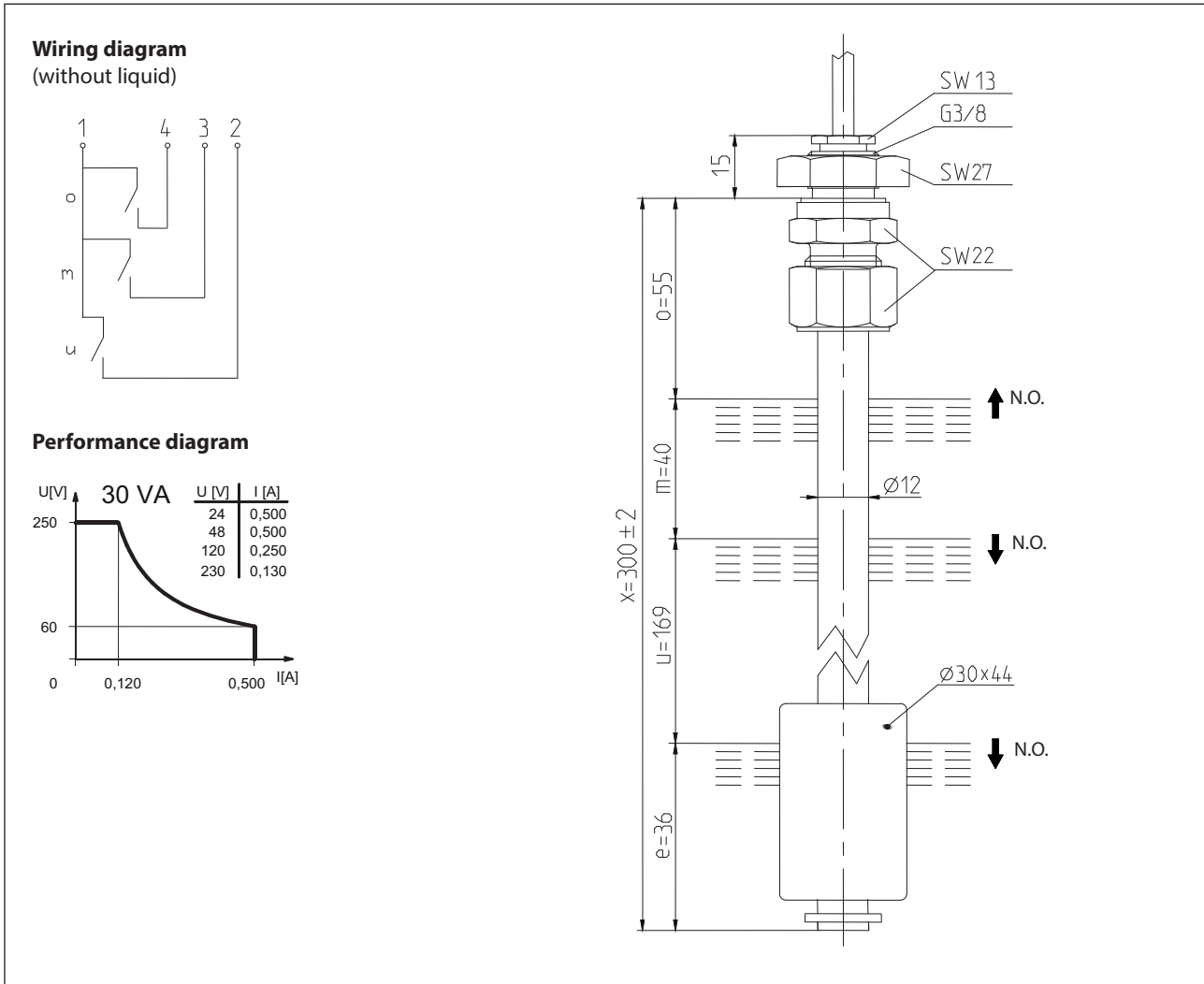


Float switch

Series Standard-Float switch

Description **MAS-732 KAS 0300**

Article number **6835262003**



Characteristic features in accordance with EN 60947-5-1

Electrical data	
max. switching voltage	250 V
max. switching current	0,5 A
max. switching capacity	30 VA
mechanical life	10 ⁷ to 10 ⁹ switches depending on the load
Switching element	1 x N.O., rising level 2 x N.O., falling level
Protection class	II (totally insulated)

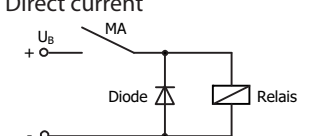
Mechanical data	
Bolting material	CuZn35Ni2 (CW710R)
Hexagonal nut material	CuZn37 (CW508L)
Switching tube material	CuZn37 (CW508L)
Float material	NBR
- density	about 0,44 g/cm ³ ±10 %
- depth of immersion	19,5 mm ± 2 mm (to a fluid-density of 1 g/cm ³)
Grip screw material	CuSn8 (CW453K)
Gasket material	NBR
Ambient air temperature	-5 °C to +60 °C
Liquid temperature	-5 °C to +60 °C
Connection	Cable 4 x 0,5 mm ² x 6 m ± 5 %, PVC
Protection type	IP 65 acc to IEC529 / EN 60529
Max. pressure	10 bar

General details

Repeatability of switching points is ±0,05 mm based on the same geometrical conditions as of a switch device.
 The measures of the switching points refer to a fluid-density of 1 g/cm³.
 The tolerance of the switching points is ±2 mm
 Pay attention to the contact protection, when switching inductive or capacitive loads. Maximum data must not be exceeded!

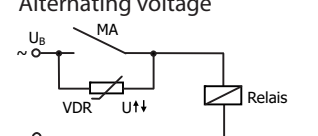
Inductive loads

Direct current

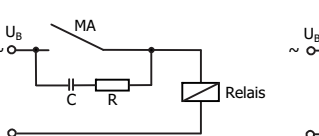


Suppression of voltage peaks with a free-wheeling diode

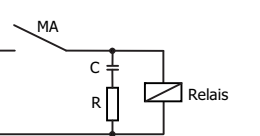
Alternating voltage



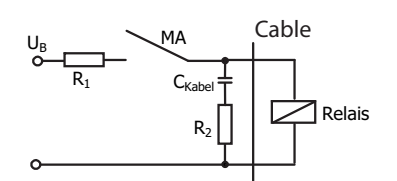
Suppression of voltage peaks with a VDR



Suppression of voltage peaks with an RC element



Capacitive loads and lamp loads



Contact protection with resistors for limiting current

