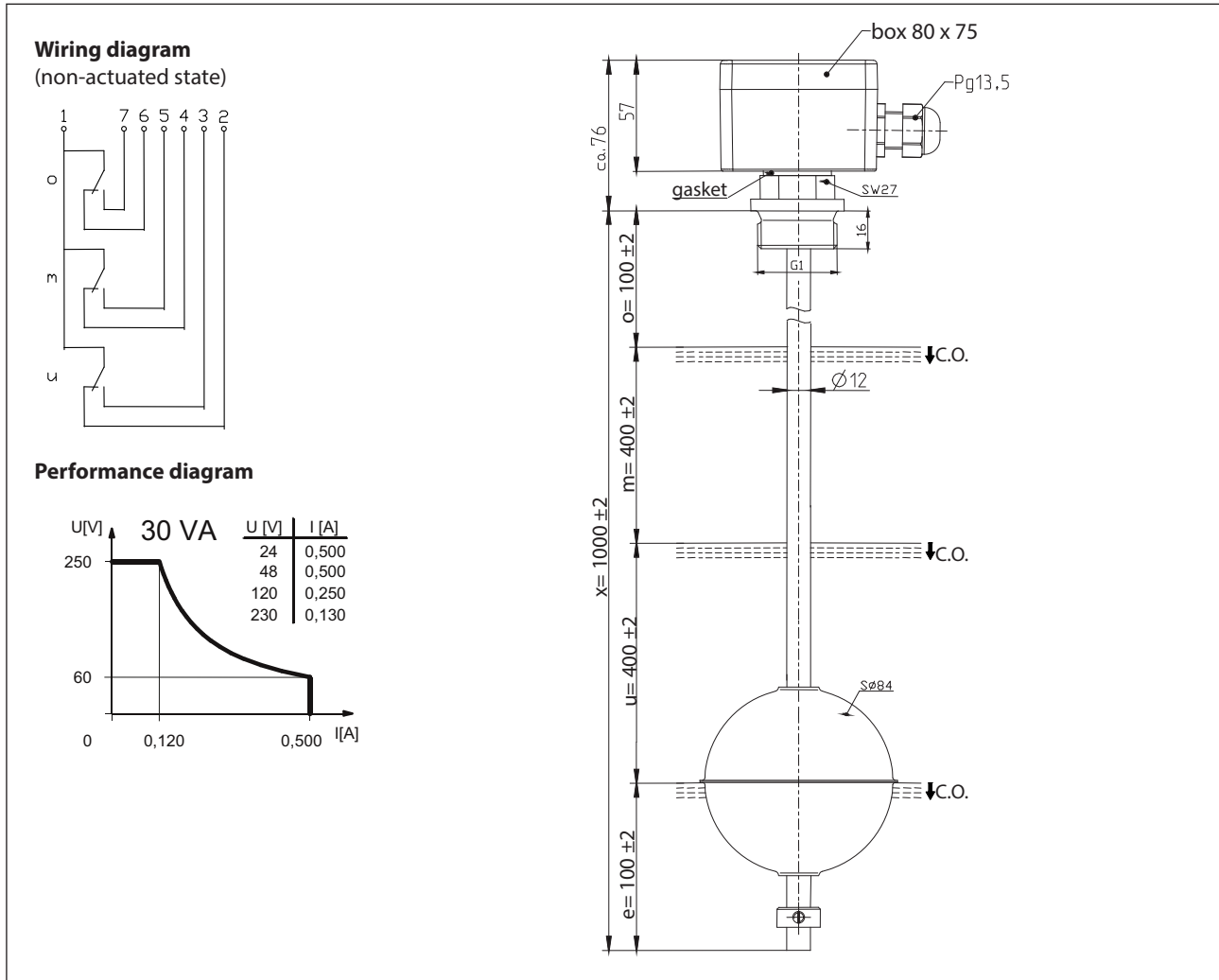


Float switch

Series Standard-Float switch

Description **MAG-733 KR1,0S 1000**

Article number **6835187002**



Electrical data			
Rated voltage	U_r	250 V	
max. switching current		0,5 A	
max. switching capacity		30 VA	
Rated insulation voltage	U_i	300 V AC	
Bemessungsstoßspannungsfestigkeit	U_{imp}	2,5 kV AC	
Overvoltage category		II	
mechanical life		10 ⁷ to 10 ⁹ switches	
Switching element		3 x C.O., falling level	
Protection class		I	

Mechanical data	
Housing material	Aluminium coated RAL 7001
Bolting material G1,0"	X6CrNiMoTi17-12-2 (1.4571)
Bolting material Pg13,5	PA6
Switching tube material	X6CrNiMoTi17-12-2 (1.4571)
Float material	X6CrNiMoTi 17-12-2 (1.4571)
- density	about 0,34 g/cm ³ ±10 %
- depth of immersion	36 mm ± 2 mm (to a fluid-density of 1 g/cm ³)
Adjusting ring material	X6CrNiMoTi17-12-2 (1.4571)
Gasket material	Klingsil C-4400 and NBR
Ambient air temperature	-5 °C to +60 °C
Liquid temperature	-5 °C to +60 °C
Connection	Connecting block inside the terminal box
Protection type	IP 65 acc to IEC529 / EN 60529
Max. pressure	10 bar

EU Conformity
acc. to directive 2014/35/EU

Standards
DIN EN 60947-5-1

General details
The measures of the switching points refer to a fluid-density of 1 g/cm ³ . The tolerance of the switching points is ±2 mm Pay attention to the contact protection, when switching inductive or capacitive loads. Maximum data must not be exceeded!

Inductive loads		
<p>Direct current</p> <p>Suppression of voltage peaks with a free-wheeling diode</p>	<p>Alternating voltage</p> <p>Suppression of voltage peaks with a VDR</p>	<p>Suppression of voltage peaks with an RC element</p>

Capacitive loads and lamp loads		
Contact protection with resistors for limiting current		