

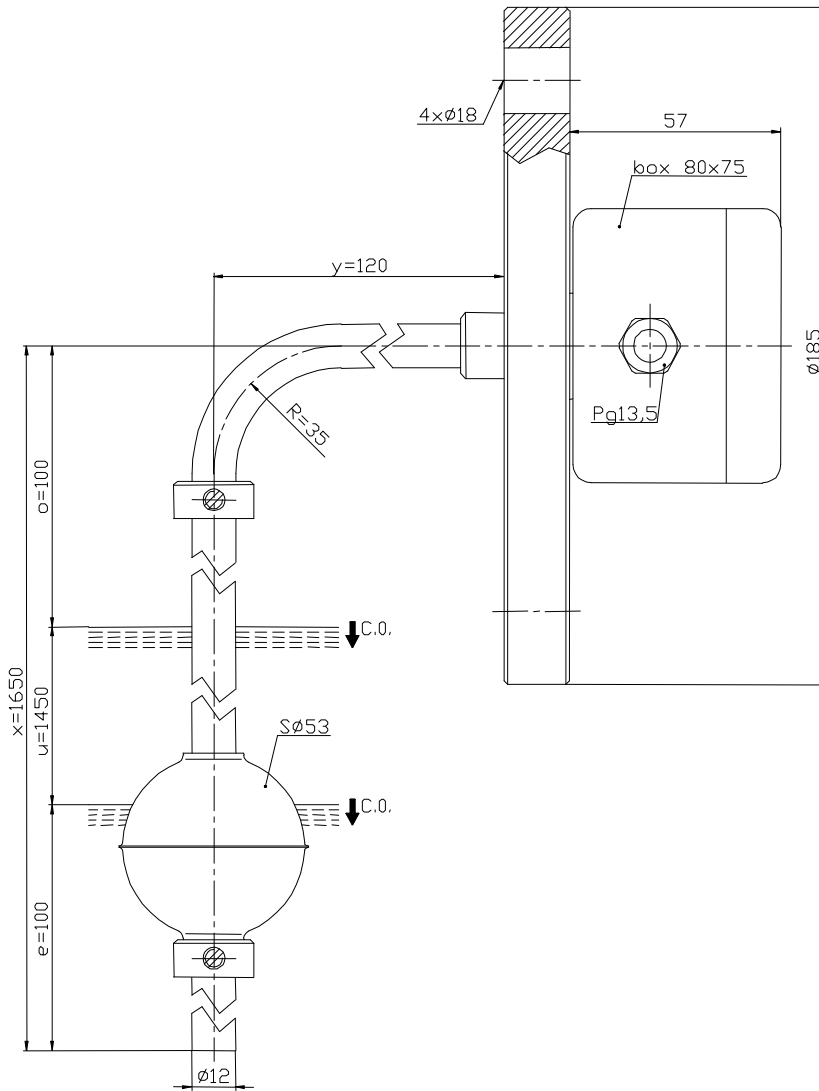
Technical Data

Float Switch

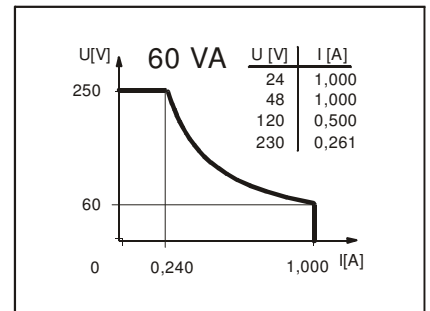
Standard float switches

Description **MAE-723 LWD65S 1650**

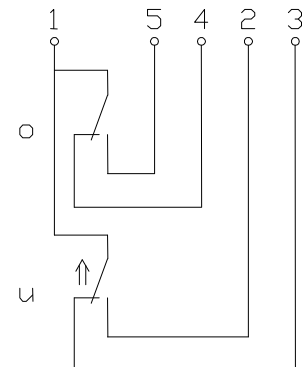
Article number **6826194002**



Performance diagram (maximum data)



Wiring diagram (without liquid)



Subject to change without notice.

Standard float switches

Description **MAE-723 LWD65S 1650** Article number **6826194002**

Electrical data

Reed contact	max. switching voltage	250 V
	max. switching current	1,0 A
	max. switching capacity	60 VA
	mechanical life	10 ⁷ to 10 ⁹ switches depending on the load
Switching element	2 change over contact, falling level	
Direction category	AC-22A and DC-22A acc to DIN VDE 0660 T107	
Standard	acc to DIN VDE 0660 T200	

Mechanical data

Box material	GD-AISI 12 (3.2581.05)
Screw connection material Pg13,5l	Brass nickel-plated
Flange material	X6CrNiMoTi17 12 2 (1.4571)
Female material	X6CrNiMoTi17 12 2 (1.4571)
Hexagon nut material	CuZn39Pb3 (2.0401)
Switching tube material	X6CrNiMoTi17 12 2 (1.4571)
Float material	X6CrNiMoTi17 12 2 (1.4571)
-density	about 0,65 g/cm ³ ±10%
-depth of immersion	32 mm ±2 mm (to a fluid-density of 1 g/cm ³)
Adjusting ring material	X6CrNiMoTi17 12 2 (1.4571)
Gasket material	NBR
Ambient air temperature	-5°C to +60°C
Liquid temperature	-5°C to +60°C
Connection	connection block inside the terminal box
Protection type	IP 65 acc to DIN VDE 0470 T1
Max. pressure	5 bar

General details

Repeatability of switching points is ±0,05mm based on the same geometrical conditions as of a switch device.
 The measures of the switching points refer to a fluid-density of 1 g/cm³.
 The tolerance of the switching points is ±2mm
 Pay attention to the contact protection, when switching inductive loads. Maximum data must not be exceeded!