

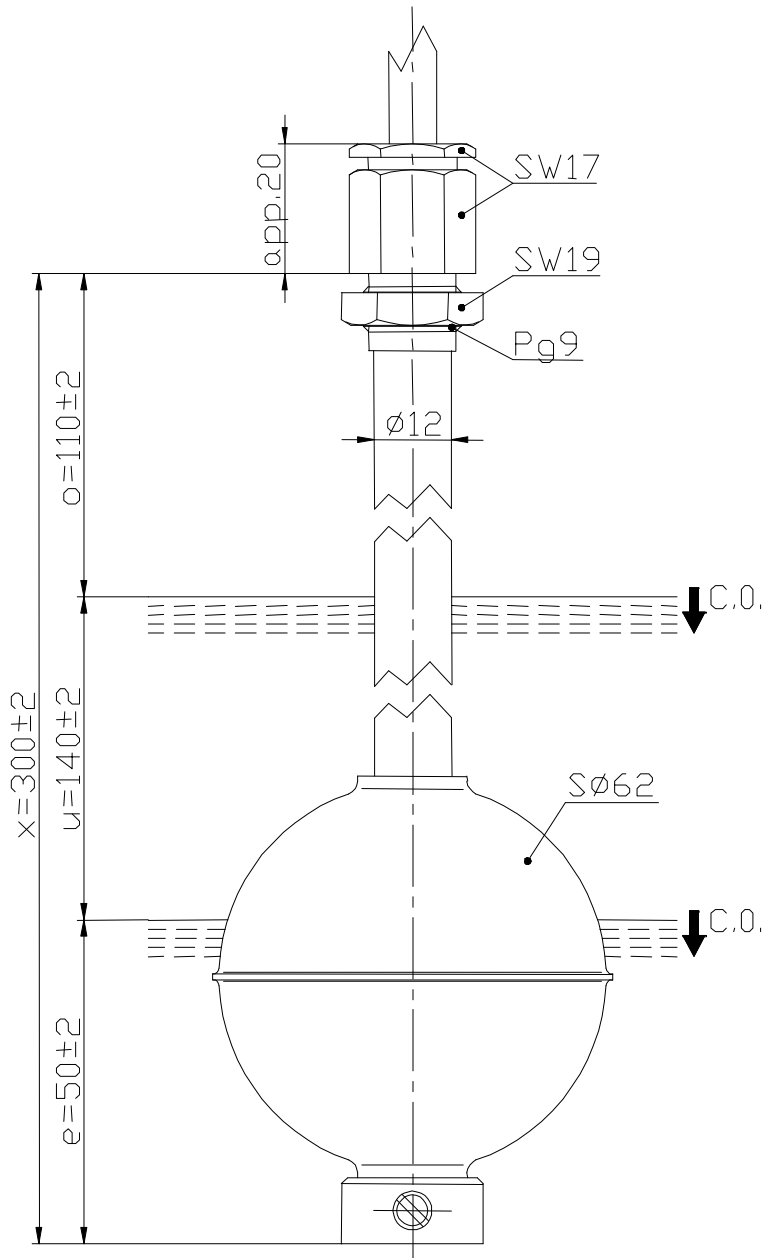
Technical Data

Float Switch

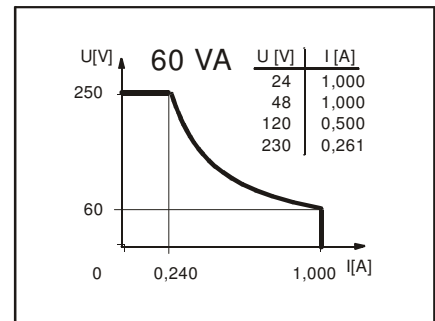
Standard float switches

Description **MAB-723 LVS 0300**

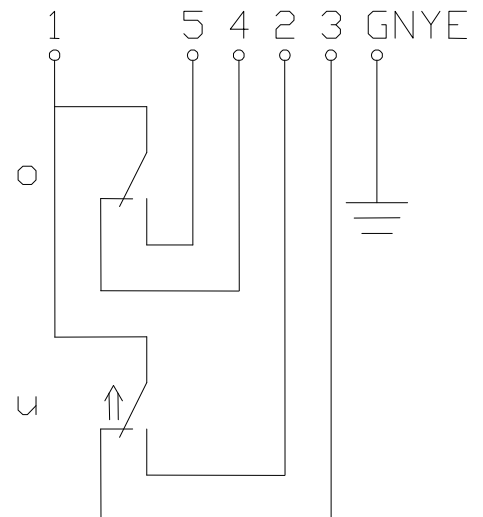
Article number **6826141048**



Performance diagram (maximum data)



Wiring diagram (matching to the drawing)



Subject to change without notice.

Date of issue : 17.01.2008 / Page 1 of 2
Document : 6826141048_en.doc / Last update : 1

Standard float switches

Description **MAB-723 LVS 0300** Article number **6826141048**

Electrical data

Reed contact	max. switching voltage	250 V
	max. switching current	1,0 A
	max. switching capacity	60 VA
	mechanical life	10 ⁷ to 10 ⁹ switches depending on the load
Switching element		2 change over contact, falling level
Direction category		AC-21A and DC-21A acc. to DIN VDE 0660 T107
Standard		acc. to DIN VDE 0660 T200

Mechanical data

Pressure screw material		X2CrNiMo17-12-2 (1.4404)
Screw connection material		X6CrNiMoTi17-12-2 (1.4571)
Hexagon nut material		X6CrNiMoTi17-12-2 (1.4571)
Switching tube material		X6CrNiMoTi17-12-2 (1.4571)
Float material		X6CrNiMoTi17-12-2 (1.4571)
	-density	about 0,52 g/cm ³ ±10%
	-depth of immersion	33 mm ±2 mm (to a fluid-density of 1 g/cm ³)
Adjusting ring material		X6CrNiMoTi17-12-2 (1.4571)
Gasket material		X6CrNiMoTi17-12-2 (1.4571)
Ambient air temperature		-5°C to +60°C
Liquid temperature		-5°C to +60°C
Connection		1m cable, PVC, 6x0.5mm ² with cable end sleeves
Protection type		IP 65 acc. to DIN VDE 0470 T1
Max. pressure		10 bar

General details

Repeatability of switching points is ±0,05mm based on the same geometrical conditions as of a switch device.
 The measures of the switching points refer to a fluid-density of 1 g/cm³.
 The tolerance of the switching points is ±2mm
 Pay attention to the contact protection, when switching inductive loads. Maximum data must not be exceeded!