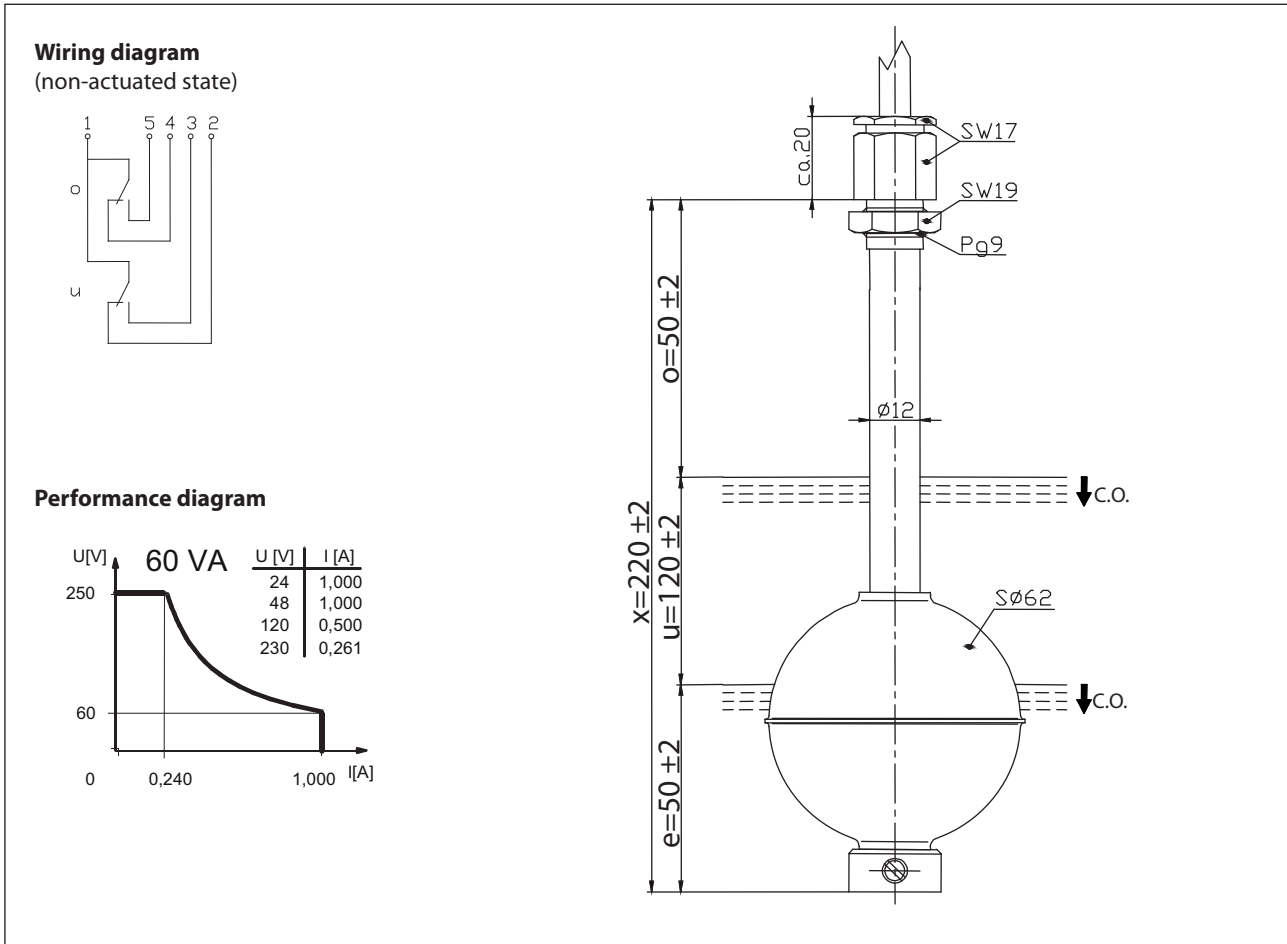


Float switch

Series Standard-Float switch

Description **MAB-723 LVS 0220**

Article number **6826141038**



Electrical data	
Rated voltage	U_r 250 V
max. switching current	1 A
max. switching capacity	60 VA
min. switching capacity	3 VA
Rated insulation voltage	U_i 300 V AC
Rated impulse withstand voltage	U_{imp} 4 kV AC
Overvoltage category	II
Switching element	2 x N.O., falling level
Protection class	II (totally insulated)

Mechanical data	
Pressure screw material	X2CrNiMo17-12-2 (1.4404)
Bolting material	X6CrNiMoTi17-12-2 (1.4571)
Hexagonal nut material	X6CrNiMoTi17-12-2 (1.4571)
Switching tube material	X6CrNiMoTi17-12-2 (1.4571)
Float material	X6CrNiMoTi17-12-2 (1.4571)
- density	about 0,52 g/cm ³ ±10 %
- depth of immersion	33 mm ± 2 mm (to a fluid-density of 1 g/cm ³)
Adjusting ring material	X6CrNiMoTi17-12-2 (1.4571)
Gasket material	NBR
Ambient air temperature	-5 °C to +60 °C
Liquid temperature	-5 °C to +60 °C
Connection	Cable 5 x 0,5 mm ² x 4 m ± 5 %; PVC-Outer jacket
Protection type	IP 65 acc to IEC529 / EN 60529
Max. pressure	10 bar

Standards
DIN EN 60947-5-1

EU Conformity
acc. to directive 2014/35/EU

General details
The measures of the switching points refer to a fluid-density of 1 g/cm ³ . The tolerance of the switching points is ±2 mm Pay attention to the contact protection, when switching inductive or capacitive loads. Maximum data must not be exceeded!

Inductive loads
<div style="display: flex; justify-content: space-between;"> <div style="width: 24%;"> <p>Direct current</p> <p>Suppression of voltage peaks with a free-wheeling diode</p> </div> <div style="width: 24%;"> <p>Alternating voltage</p> <p>Suppression of voltage peaks with a VDR</p> </div> <div style="width: 24%;"> <p>Suppression of voltage peaks with an RC element</p> </div> <div style="width: 24%;"> </div> </div>

Capacitive loads and lamp loads
<p>Contact protection with resistors for limiting current</p>