

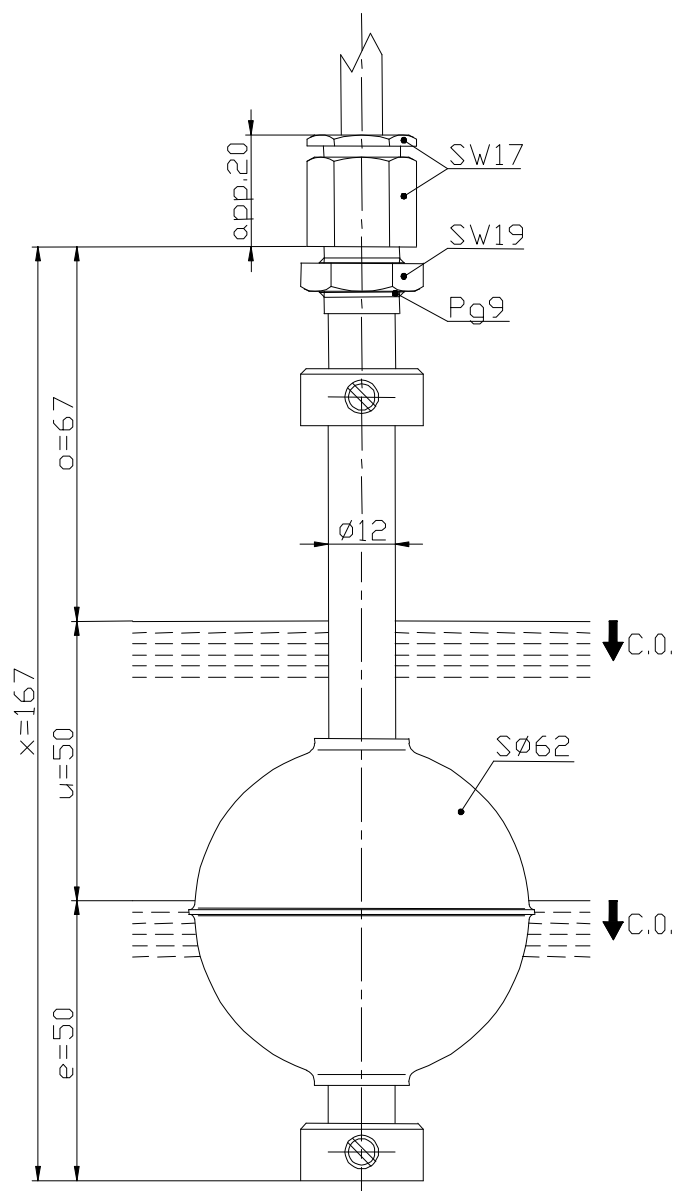
Technical Data

Float Switch

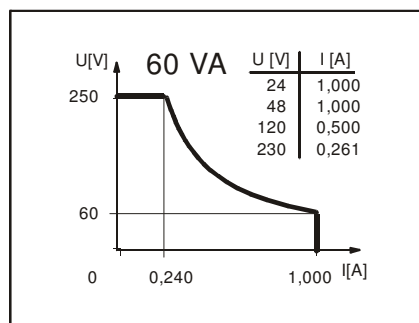
Standard float switches

Description **MAB-723 LVS 0167**

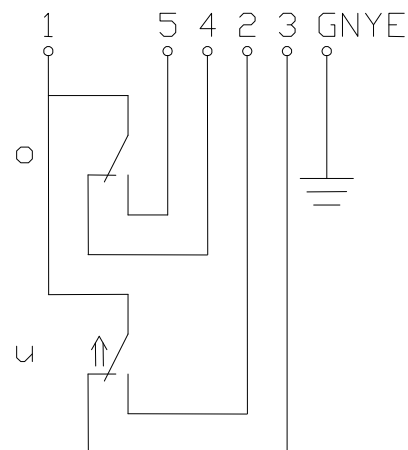
Article number **6826141008**



Performance diagram (maximum data)



Wiring diagram (matching to the drawing)



Subject to change without notice.

Date of issue : 26.07.2006 / Page 1 of 2
Document : 6826141008_en.doc / Last update : 2

Standard float switches

Description **MAB-723 LVS 0167** Article number **6826141008**

Electrical data

Reed contact	max. switching voltage	250 V
	max. switching current	1,0 A
	max. switching capacity	60 VA
	mechanical life	10 ⁷ to 10 ⁹ switches depending on the load
Switching element		2 change over contact, falling level
Direction category		AC-22A and DC-22A acc to DIN VDE 0660 T107
Standard		acc to DIN VDE 0660 T200

Mechanical data

Female material	1.4571
Screw connection material	1.4404
Hexagon nut material	1.4571
Switching tube material	1.4571
Float material	1.4571
-density	about 0,52 g/cm ³ ±10%
-depth of immersion	33 mm ±2 mm (to a fluid-density of 1 g/cm ³)
Adjusting ring material	X6CrNiMoTi17-12-2 (1.4571)
Gasket material	1.4571
Ambient air temperature	-5°C to +60°C
Liquid temperature	-5°C to +60°C
Connection	3m cable, PVC, 6x0.5mm ²
Protection type	IP 65 acc to DIN VDE 0470 T1
Max. pressure	10 bar

General details

Repeatability of switching points is ±0,05mm based on the same geometrical conditions as of a switch device.

The measures of the switching points refer to a fluid-density of 1 g/cm³.

The tolerance of the switching points is ±2mm

Pay attention to the contact protection, when switching inductive loads. Maximum data must not be exceeded!