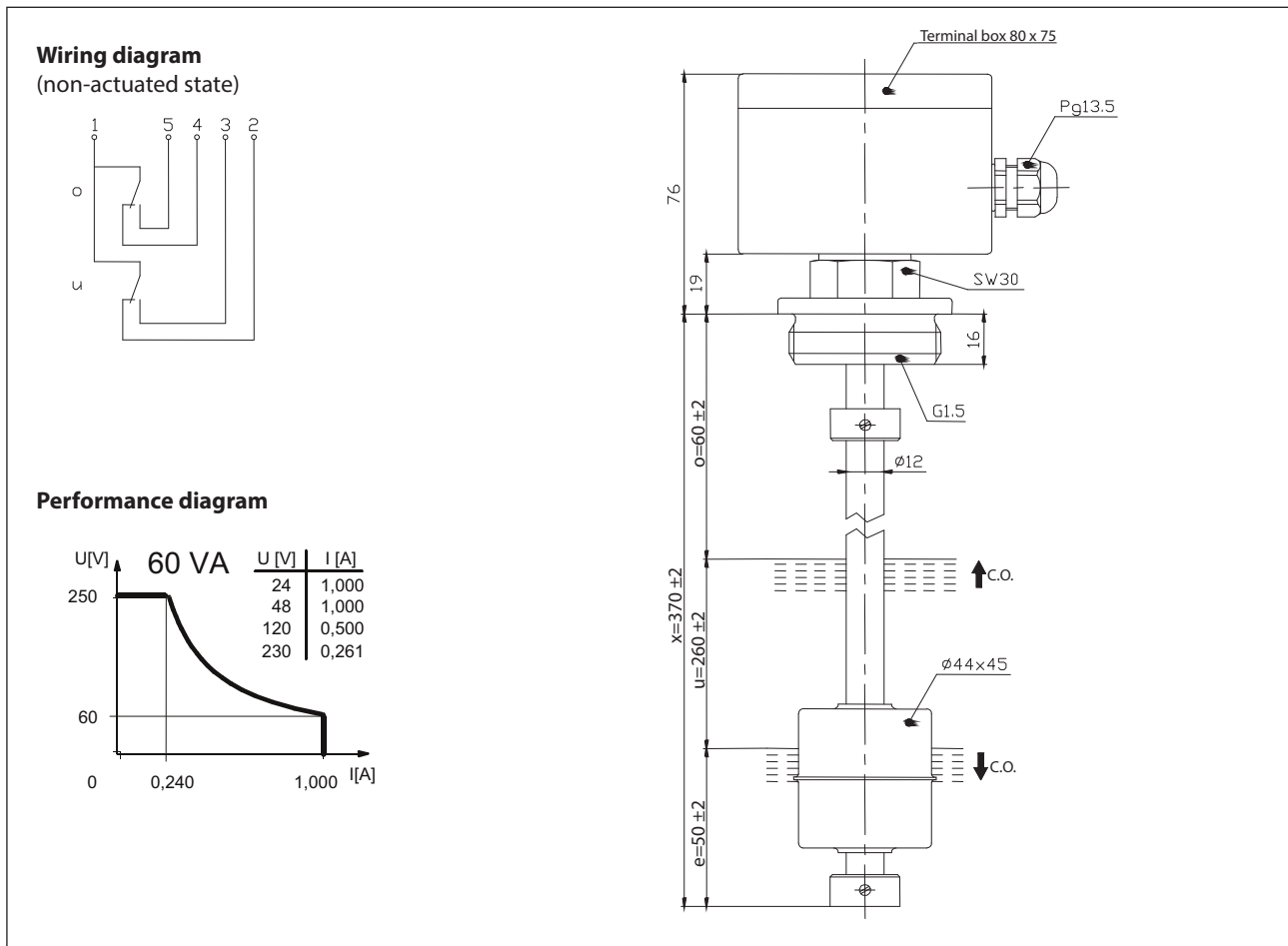


Float switch

Series Standard-Float switch

Description **MAN-723 KR2,0S 0345**

Article number **6826128054**



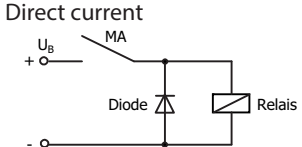
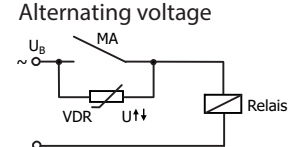
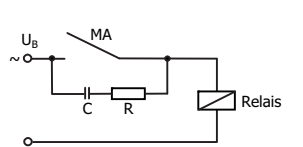
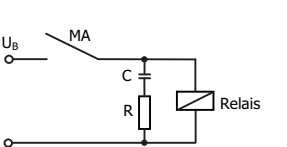
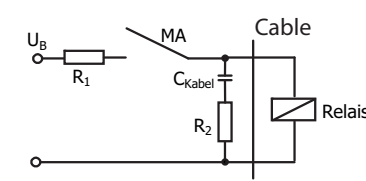
Electrical data	
Rated voltage	U_r 250 V
max. switching current	1,0 A
max. switching capacity	60 VA
max. switching capacity	3 VA
Rated insulation voltage	U_i 300 V AC
Rated impulse withstand voltage	U_{imp} 2,5 kV AC
Overvoltage category	II
mechanical life	10^7 to 10^9 switches
Switching element	1 C.O., rising level 1 C.O., falling level
Protection class	I

Mechanical data	
Box material	Aluminium coated (RAL 7001)
Bolting material	X6CrNiMoTi17-12-2 (1.4571)
Switching tube material	X6CrNiMoTi17-12-2 (1.4571)
Float material	X6CrNiMoTi17-12-2 (1.4571)
- density	about 0,7 g/cm ³ ±10 %
- depth of immersion	32 mm ± 2 mm (to a fluid-density of 1 g/cm ³)
Adjusting ring material	X6CrNiMoTi17-12-2 (1.4571)
Gasket material	Klingersil C-4400
Ambient air temperature	-5 °C to +120 °C
Liquid temperature	-5 °C to +125 °C
Connection	connecting block inside the terminal box
Protection type	IP 65 acc. to IEC529 / EN 60529
Max. pressure	15 bar

Standards
DIN EN 60947-5-1

EU Conformity
acc. to directive 2014/35/EU

General details
The measures of the switching points refer to a fluid-density of 1 g/cm ³ . The tolerance of the switching points is ±2 mm Pay attention to the contact protection, when switching inductive or capacitive loads. Maximum data must not be exceeded!

Inductive loads			
<p>Direct current</p>  <p>Suppression of voltage peaks with a free-wheeling diode</p>	<p>Alternating voltage</p>  <p>Suppression of voltage peaks with a VDR</p>	 <p>Suppression of voltage peaks with an RC element</p>	
Capacitive loads and lamp loads			
 <p>Contact protection with resistors for limiting current</p>	