

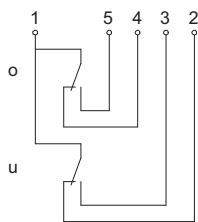
# Float switch

## Series Standard-Float switch

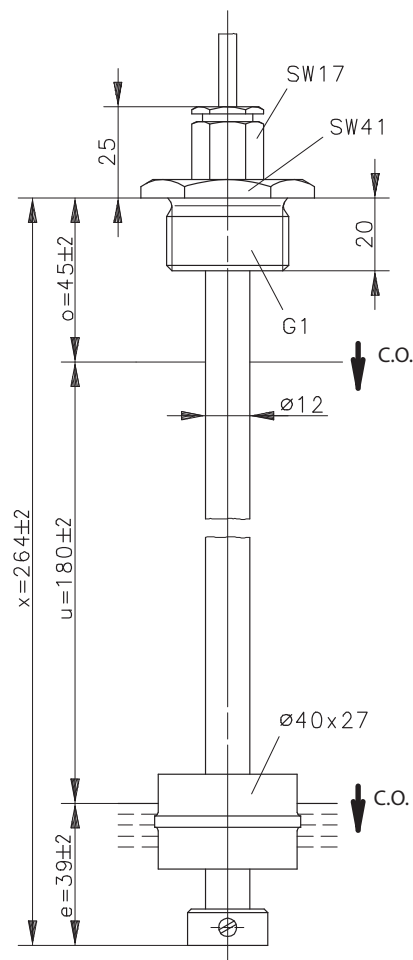
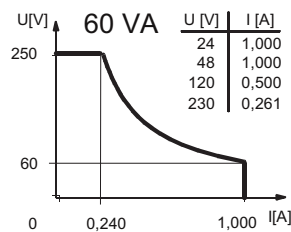
Description **MAA-723 LXS 0264**

Article number **6826110024**

### Wiring diagram (non-actuated state)



### Performance diagram



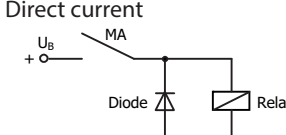
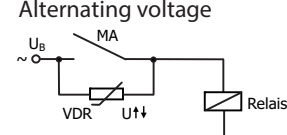
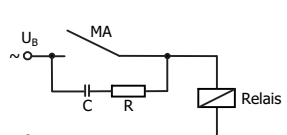
Electrical data		
Rated voltage	$U_r$	250 V
max. switching current		1,0 A
max. switching capacity		60 VA
min. switching capacity		3 VA
Rated insulation voltage	$U_i$	300 V AC
Rated impulse withstand voltage	$U_{imp}$	4 kV AC
Overvoltage category		II
mechanical life		$10^7$ to $10^9$ switches
Switching element		2 x C.O., falling level
Protection class		II (totally insulated)

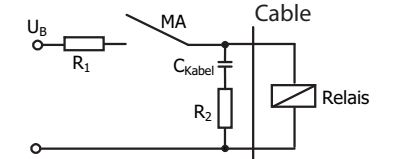
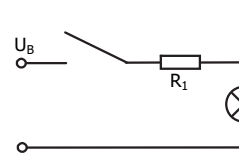
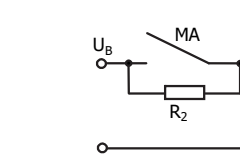
Mechanical data	
Terminal box material	X6CrNiMoTi17-12-2 (1.4571)
Bolting material	9 SMnPb28 (1.0718)
Switching tube material	X6CrNiMoTi17-12-2 (1.4571)
Float material	POM
- density	about 0,7 g/cm <sup>3</sup> ±10 %
- depth of immersion	18 mm ± 2 mm ( to a fluid-density of 1 g/cm <sup>3</sup> )
Adjusting ring material	X6CrNiMoTi17-12-2 (1.4571)
Ambient air temperature	-5 °C to +60 °C
Liquid temperature	-5 °C to +60 °C
Connection	Cable 5 x 0,5 mm <sup>2</sup> x 1 m ± 5 %, PVC
Protection type	IP 65 acc to IEC529 / EN 60529
Max. pressure	10 bar

Standards
DIN EN 60947-5-1

EU Conformity
acc. to directive 2014/35/EU

General details
The measures of the switching points refer to a fluid-density of 1 g/cm <sup>3</sup> . The tolerance of the switching points is ±2 mm Pay attention to the contact protection, when switching inductive or capacitive loads. Maximum data must not be exceeded!

Inductive loads
<div style="display: flex; justify-content: space-around;"> <div style="text-align: center;"> <p>Direct current</p>  <p>Suppression of voltage peaks with a free-wheeling diode</p> </div> <div style="text-align: center;"> <p>Alternating voltage</p>  <p>Suppression of voltage peaks with a VDR</p> </div> <div style="text-align: center;">  <p>Suppression of voltage peaks with an RC element</p> </div> </div>

Capacitive loads and lamp loads
   <p>Contact protection with resistors for limiting current</p>