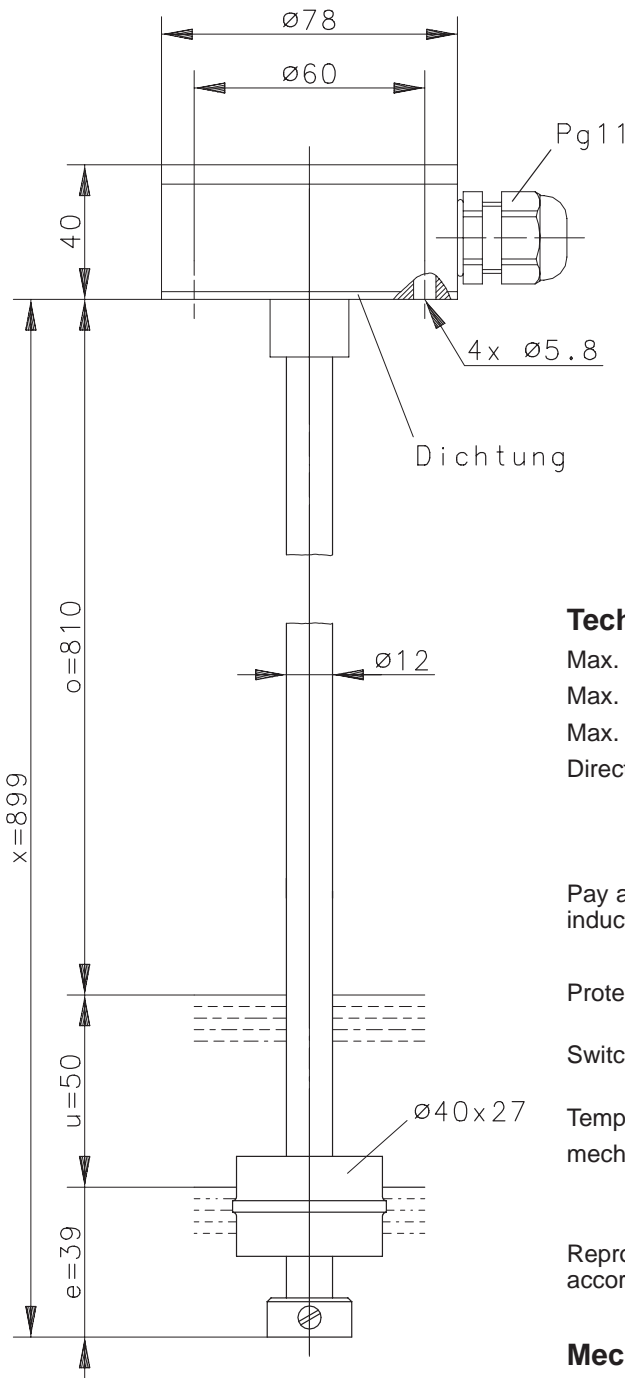




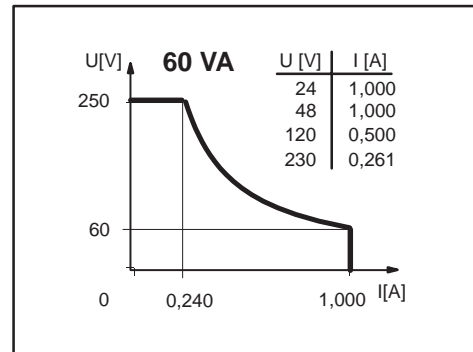
Type: **MAA-723 LSS**

Art-No.: **682.6105.366**

Date: **28.09.1999/2219**



Performance diagram
(maximum data)



Technical Data (maximum data) :

- Max. Voltage : 250 V
- Max. Switch current : 1.0 A
- Max. Switching : 60 VA
- Direction category : AC-21A and DC-21A
acc. to DIN VDE 0660 T107,
(IEC 947-3-1, EN 60947-3-1)

Pay attention to the contact protection, when switching inductive loads. Maximum data must not be exceeded !

- Protection type : IP 65 acc. to DIN VDE 0470 T1,
(IEC 529, EN 60529)
- Switching function : 2 change-over contacts,
falling level
- Temperature range : form -5°C to +60°C
- mech. Lifetime : 10^7 to 10^9 switches
depending on the load

Reproducibility is $\pm 0.05\text{mm}$ under same geometrical conditions according to one switch device.

Mechanical Data :

- Terminal box material : GK-AISi10Mg (3.2381.02)
- Switching tube material : X 6 CrNiMoTi 17 12 2 (1.4571)
- Float material : POM
- Sealing compound : NBR
- Adjusting ring material : X 6 CrNiMoTi 17 12 2 (1.4571)
- Standard : acc. to DIN VDE 0660 T200,
(IEC 947-5-1, EN 60947-5-1)

ATTENTION : The measure of the switching points are related to a fluid-tight of 1 g/cm^3

Wiring diagramme

