

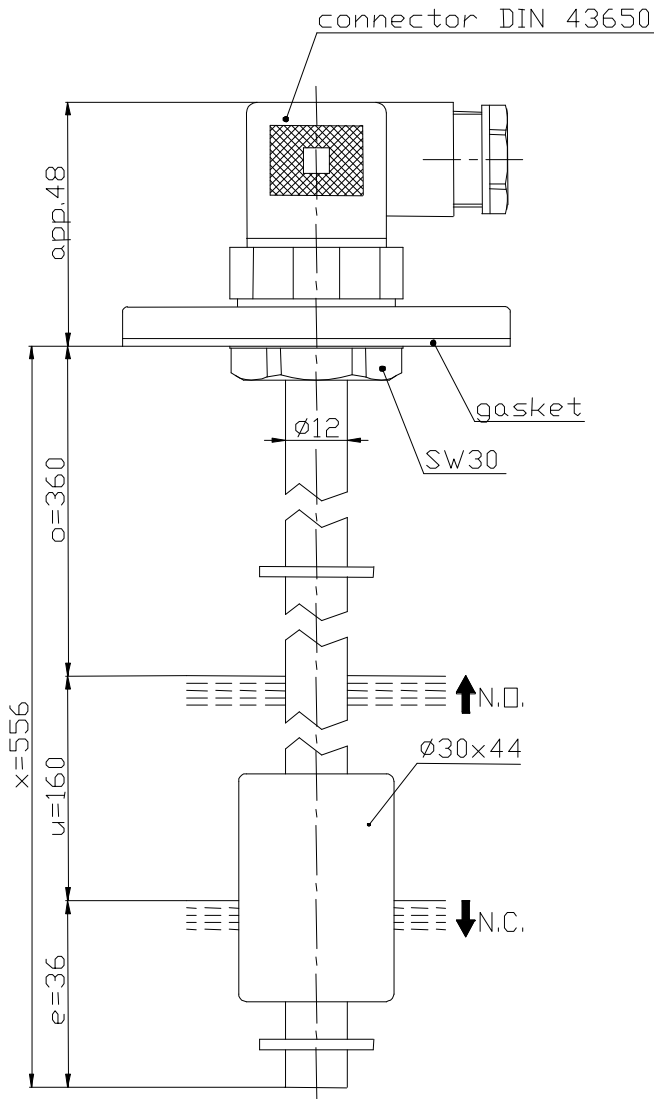
# Technical Data

## Float Switch

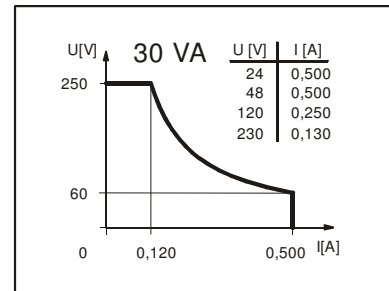
### Standard float switches

Description **MAS-721 KTS 0561**

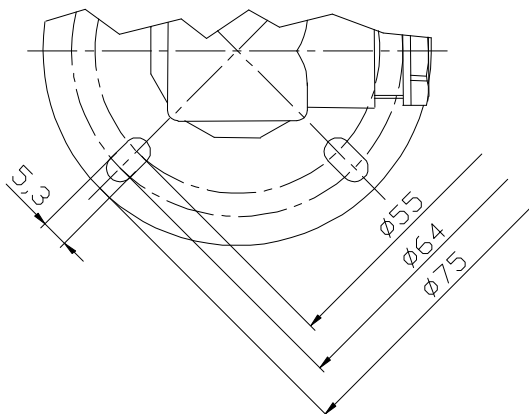
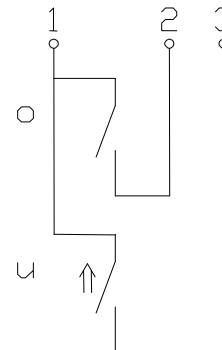
Article number **6825267008**



#### Performance diagram (maximum data)



#### Wiring diagram (matching to the drawing)



Subject to change without notice.

### Standard float switches

Description      **MAS-721 KTS 0561**      Article number      **6825267008**

#### Electrical data

Reed contact	max. switching voltage	250 V
	max. switching current	0,5 A
	max. switching capacity	30 VA
	mechanical life	10 <sup>7</sup> to 10 <sup>9</sup> switches depending on the load
Switching element		1 normally-open contact, rising level 1 normally-closed contact, falling level
Direction category		AC-22A and DC-22A acc to DIN VDE 0660 T107
Standard		acc to DIN VDE 0660 T200

#### Mechanical data

Flange material	PC	
Hexagon nut material	PA	
Switching tube material	CuZn37 (2.0321)	
Float material	NBR	
	-density	about 0,44 g/cm <sup>3</sup> ±10%
	-depth of immersion	19,5 mm ±2 mm ( to a fluid-density of 1 g/cm <sup>3</sup> )
Grip screw material	CuSn8 (2.1030)	
Gasket material	NBR	
Ambient air temperature	-5°C to +60°C	
Liquid temperature	-5°C to +60°C	
Connection	plug-in connection acc. to DIN 43650	
Protection type	IP 65 acc to DIN VDE 0470 T1 <u>Only with female socket</u>	
Max. pressure	5 bar	

#### General details

Repeatability of switching points is ±0,05mm based on the same geometrical conditions as of a switch device.  
The measures of the switching points refer to a fluid-density of 1 g/cm<sup>3</sup>.  
The tolerance of the switching points is ±2mm  
Pay attention to the contact protection, when switching inductive loads. Maximum data must not be exceeded!