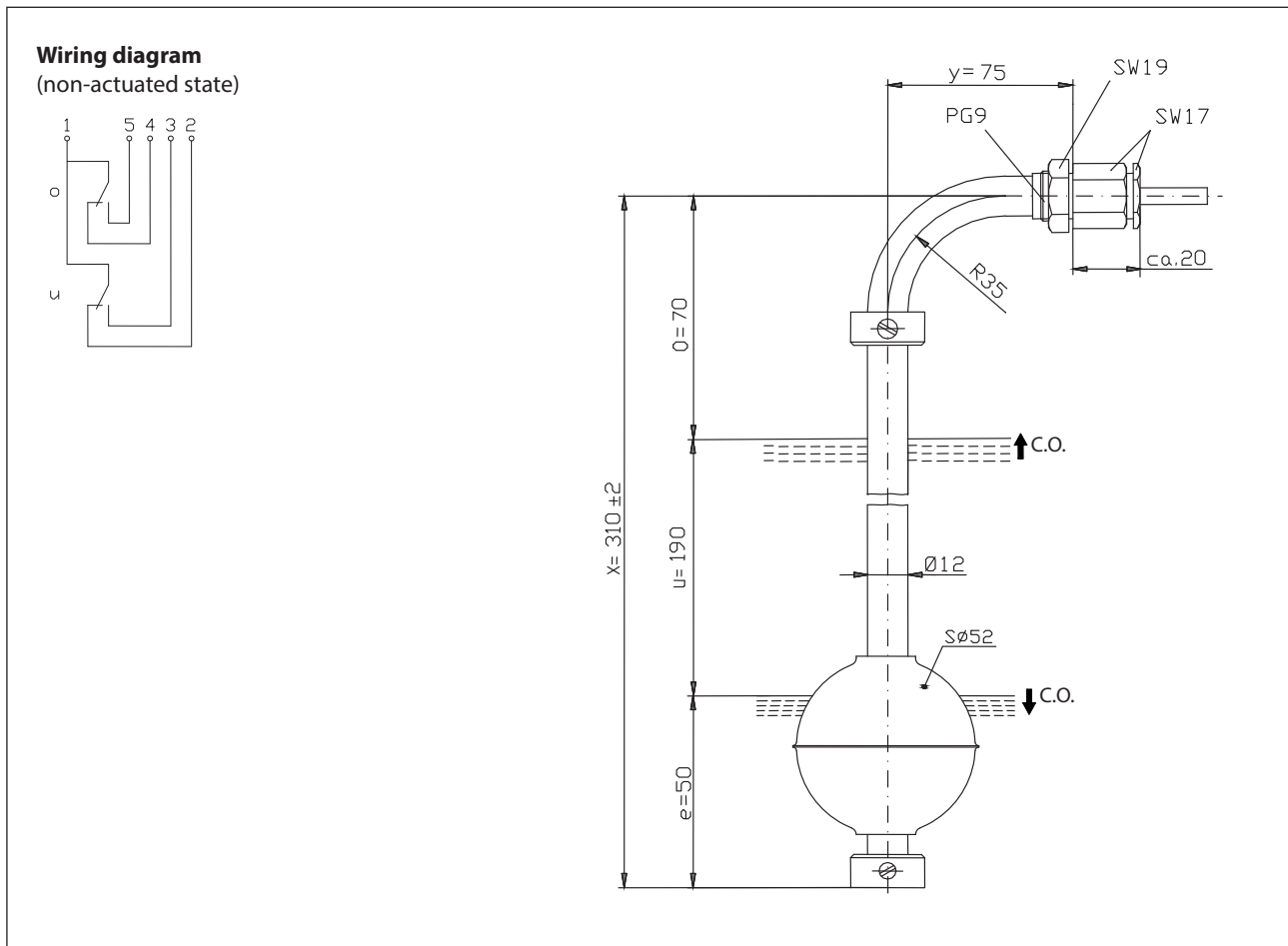


Float switch

Series Standard-Float switch

Description **MAE-723 KHS 0310**

Article number **6825191002**



Characteristic features in accordance with EN 60947-5-1

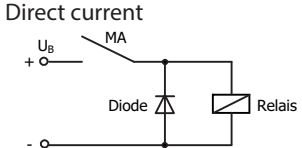
Electrical data		
Operational voltage range	U_B	10-36 V
max. switching current		0,5 A
max. switching capacity		30 VA
mechanical life		10^7 to 10^9 switches depending on the load
Switching element		1 x C.O., rising level 1 x C.O., falling level
Protection class		III (extra- low voltage)

Mechanical data	
Bolting material	X6CrNiMoTi 17 12 2 (1.4571)
Hexagon nut material	X6CrNiMoTi17-12-2 (1.4571)
Switching tube material	X6CrNiMoTi17-12-2 (1.4571)
Float material	X6CrNiMoTi 17-12-2 (1.4571)
- density	about 0,7 g/cm ³ ±10 %
- depth of immersion	32 mm ± 2 mm (to a fluid-density of 1 g/cm ³)
Adjusting ring material	X6CrNiMoTi17-12-2 (1.4571)
Gasket material	NBR
Ambient air temperature	-5 °C to +60 °C
Liquid temperature	-5 °C to +60 °C
Connection	Cable 5 x 0,50 mm ² x 1,5 m ± 5 %, PVC
Protection type	IP 65 acc to IEC529 / EN 60529
Max. pressure	10 bar

General details
<p>Repeatability of switching points is ±0,05 mm based on the same geometrical conditions as of a switch device. The measures of the switching points refer to a fluid-density of 1 g/cm³. Operate only at safe voltage sources! The tolerance of the switching points is ±2 mm Pay attention to the contact protection, when switching inductive or capacitive loads. Maximum data must not be exceeded!</p>

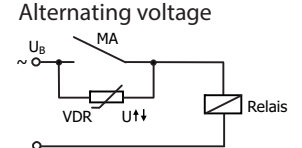
Inductive loads

Direct current

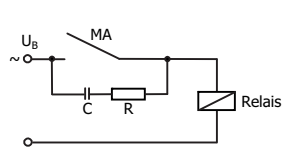


Suppression of voltage peaks with a free-wheeling diode

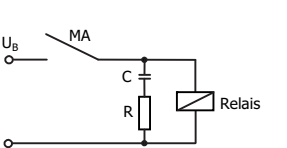
Alternating voltage



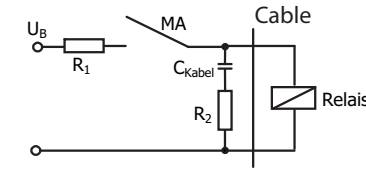
Suppression of voltage peaks with a VDR



Suppression of voltage peaks with an RC element



Capacitive loads and lamp loads



Contact protection with resistors for limiting current

