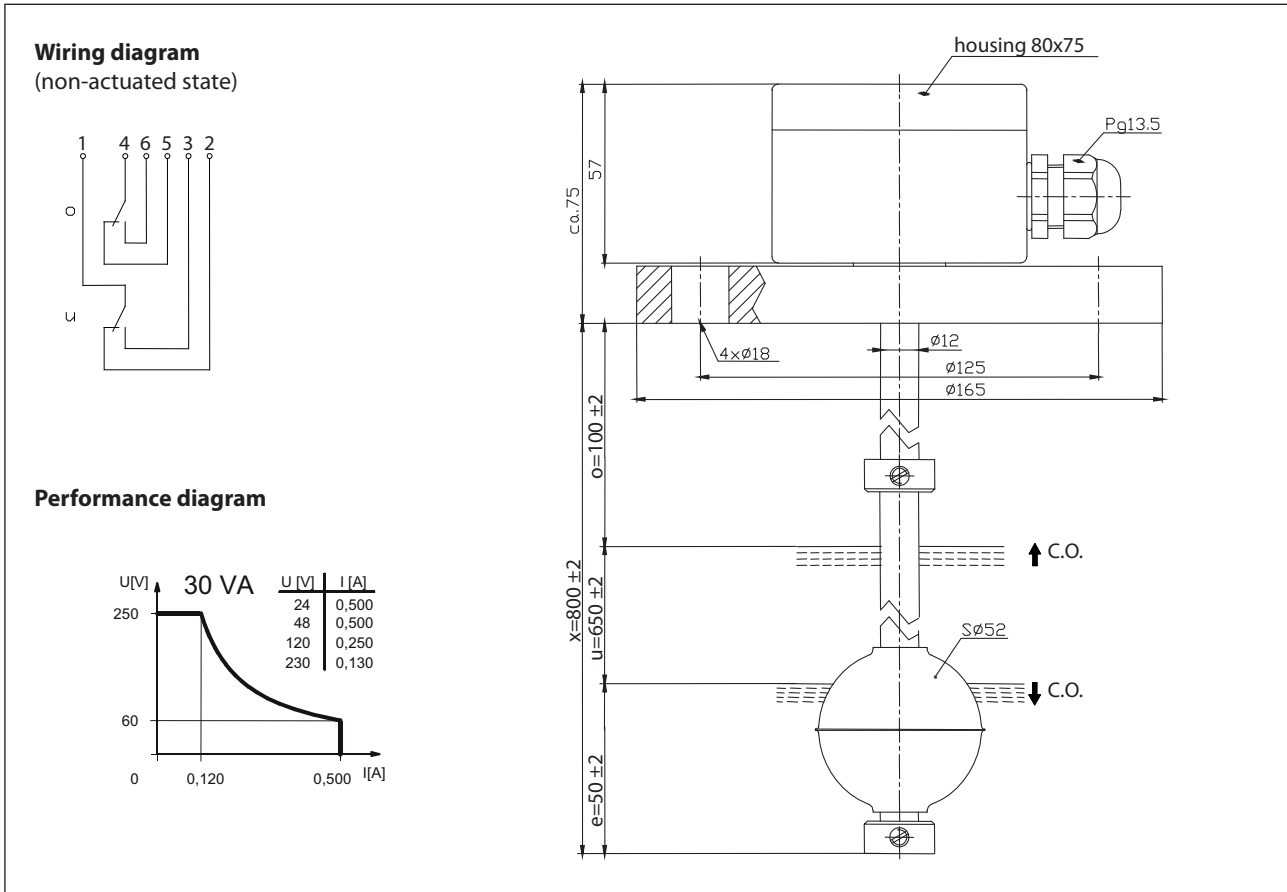


Float switch

Series Standard-Float switch

Description **MAE-723 KDN50S 0800**

Article number **6825190008**



Electrical data		
Rated voltage	U_r	250 V
max. switching current		0,5 A
max. switching capacity		30 VA
Rated insulation voltage	U_i	300 V AC
Bemessungsstoßspannungsfestigkeit	U_{imp}	2,5 kV AC
Overvoltage category		II
Switching element		1 C.O., falling level 1 C.O., rising level
Protection class		I

Mechanical data	
Housing material	Aluminium coated, RAL 7001
Cable gland material	PA6
Flange material	X6CrNiMoTi17-12-2 (1.4571)
Switching tube material	X6CrNiMoTi17-12-2 (1.4571)
Float material	X6CrNiMoTi17-12-2 (1.4571)
- density	about 0,69 g/cm ³ ±10 %
- depth of immersion	33 mm ± 2 mm (to a fluid-density of 1 g/cm ³)
Gasket material	Klingsil C-4400 and NBR
Grip ring material	X6CrNiMoTi17-12-2 (1.4571)
Ambient air temperature	-5 °C to +90 °C
Liquid temperature	-5 °C to +90 °C
Connection	Connecting block inside the terminal box
Protection type	IP 65 acc to IEC529 / EN 60529
Max. pressure	10 bar

Standards
DIN EN 60947-5-1

General details

The measures of the switching points refer to a fluid-density of 1 g/cm³.
 The tolerance of the switching points is ±2 mm
 Pay attention to the contact protection, when switching inductive or capacitive loads. Maximum data must not be exceeded!

