

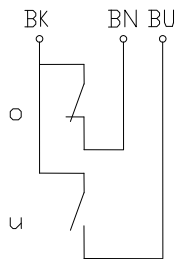
# Float switch

## Series Standard-Float switch

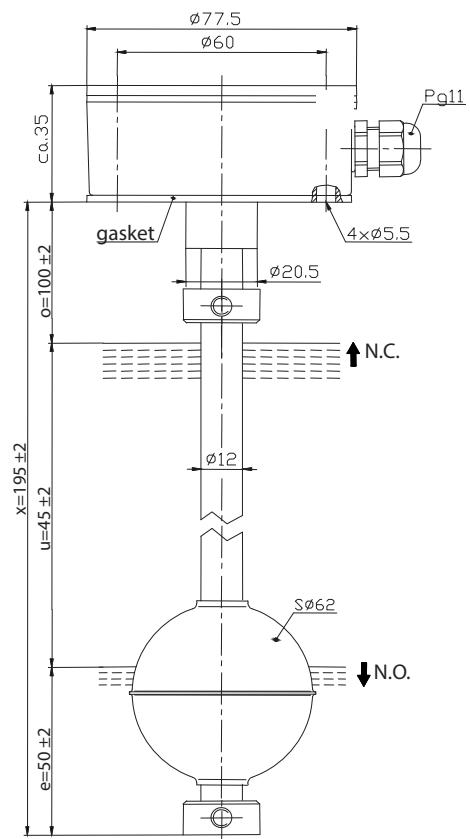
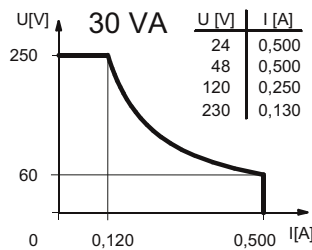
Description **MAB-724 KSS 0195**

Article number **6825185042**

### Wiring diagram (non-actuated state)



### Performance diagram



### Electrical data

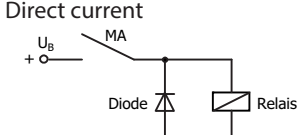
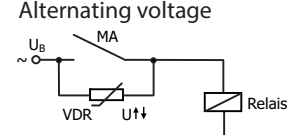
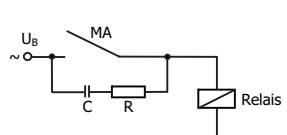
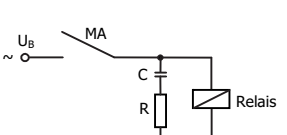
Rated voltage	$U_r$	250 V
max. switching current		0,5 A
max. switching capacity		30 VA
Rated insulation voltage	$U_i$	300 V AC
Bemessungsstoßspannungsfestigkeit	$U_{imp}$	2,5 kV AC
Overvoltage category		II
mechanical life		$10^7$ to $10^9$ switches
Switching element		o= N.C., rising level u= N.O., falling level
Protection class		I

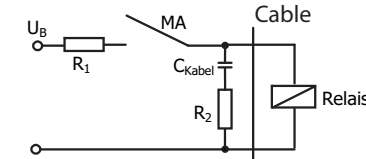
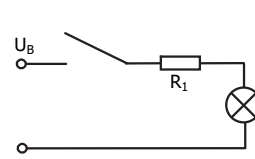
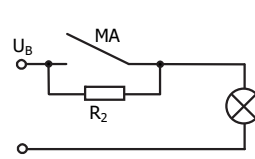
Mechanical data	
Terminal box material	Aluminium coated RAL 3016
Switching tube material	X6CrNiMoTi17-12-2 (1.4571)
Float material	X6CrNiMoTi17-12-2 (1.4571)
- density	about 0,52 g/cm <sup>3</sup> ±10 %
- depth of immersion	33 mm ± 2 mm ( to a fluid-density of 1 g/cm <sup>3</sup> )
Gasket material	NBR
Grip ring material	X6CrNiMoTi17-12-2 (1.4571)
Ambient air temperature	-5 °C to +60 °C
Liquid temperature	-5 °C to +60 °C
Connection	Connecting block inside the terminal box
Protection type	IP 65 acc to IEC529 / EN 60529
Max. pressure	10 bar

EU Conformity
acc. to directive 2014/35/EU

Standards
DIN EN 60947-5-1

General details
The measures of the switching points refer to a fluid-density of 1 g/cm <sup>3</sup> . The tolerance of the switching points is ±2 mm Pay attention to the contact protection, when switching inductive or capacitive loads. Maximum data must not be exceeded!

Inductive loads
<div style="display: flex; justify-content: space-between;"> <div style="width: 24%;"> <p><b>Direct current</b></p>  <p>Suppression of voltage peaks with a free-wheeling diode</p> </div> <div style="width: 24%;"> <p><b>Alternating voltage</b></p>  <p>Suppression of voltage peaks with a VDR</p> </div> <div style="width: 24%;">  <p>Suppression of voltage peaks with an RC element</p> </div> <div style="width: 24%;">  </div> </div>

Capacitive loads and lamp loads
   <p>Contact protection with resistors for limiting current</p>