

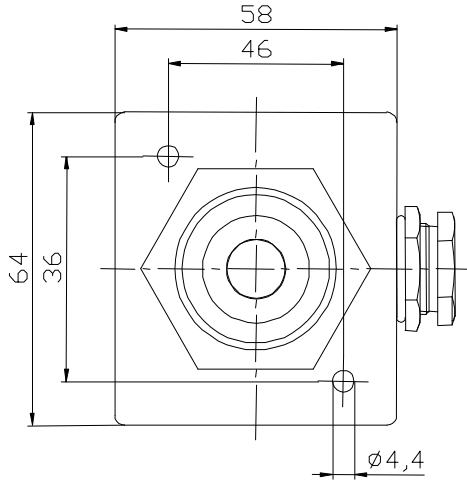
Technical Data

Float Switch

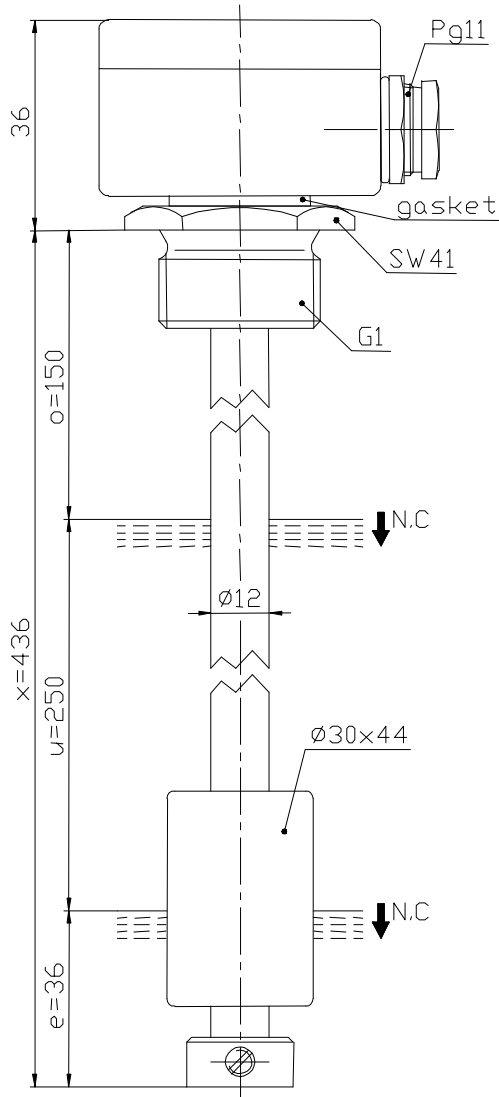
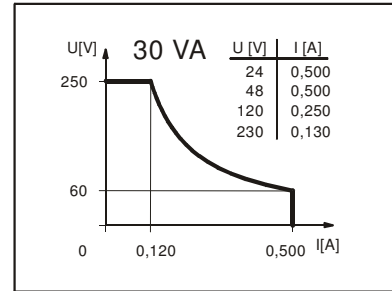
Standard float switches

Description **MAR-721 KR1,0S 0436**

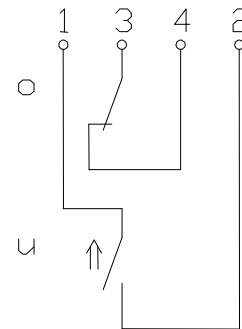
Article number **6825170003**



Performance diagram
(maximum data)



Wiring diagram
(matching to the drawing)



Subject to change without notice.

Standard float switches

Description **MAR-721 KR1,0S 0436** Article number **6825170003**

Electrical data

Reed contact	max. switching voltage	250 V
	max. switching current	0,5 A
	max. switching capacity	30 VA
	mechanical life	10 ⁷ to 10 ⁹ switches depending on the load
Switching element		2 normally closed contact, falling level
Direction category		AC-22A and DC-22A acc to DIN VDE 0660 T107
Standard		acc to DIN VDE 0660 T200

Mechanical data

Terminal box material	GD-AISI12
Screw connection material	9SMnPb28 (1.0718)
Switching tube material	X6CrNiMoTi17-12-2 (1.4571)
Float material	NBR
-density	about 0,45 g/cm ³ ±10%
-depth of immersion	19,5 mm ±2 mm (to a fluid-density of 1 g/cm ³)
Adjusting ring material	X6CrNiMoTi17-12-2 (1.4571)
Gasket material	NBR
Ambient air temperature	-5°C to +60°C
Liquid temperature	-5°C to +60°C
Connection	connecting block inside the terminal box
Protection type	IP 65 acc to DIN VDE 0470 T1
Max. pressure	10 bar

General details

Repeatability of switching points is ±0,05mm based on the same geometrical conditions as of a switch device.

The measures of the switching points refer to a fluid-density of 1 g/cm³.

The tolerance of the switching points is ±2mm

Pay attention to the contact protection, when switching inductive loads. Maximum data must not be exceeded!