

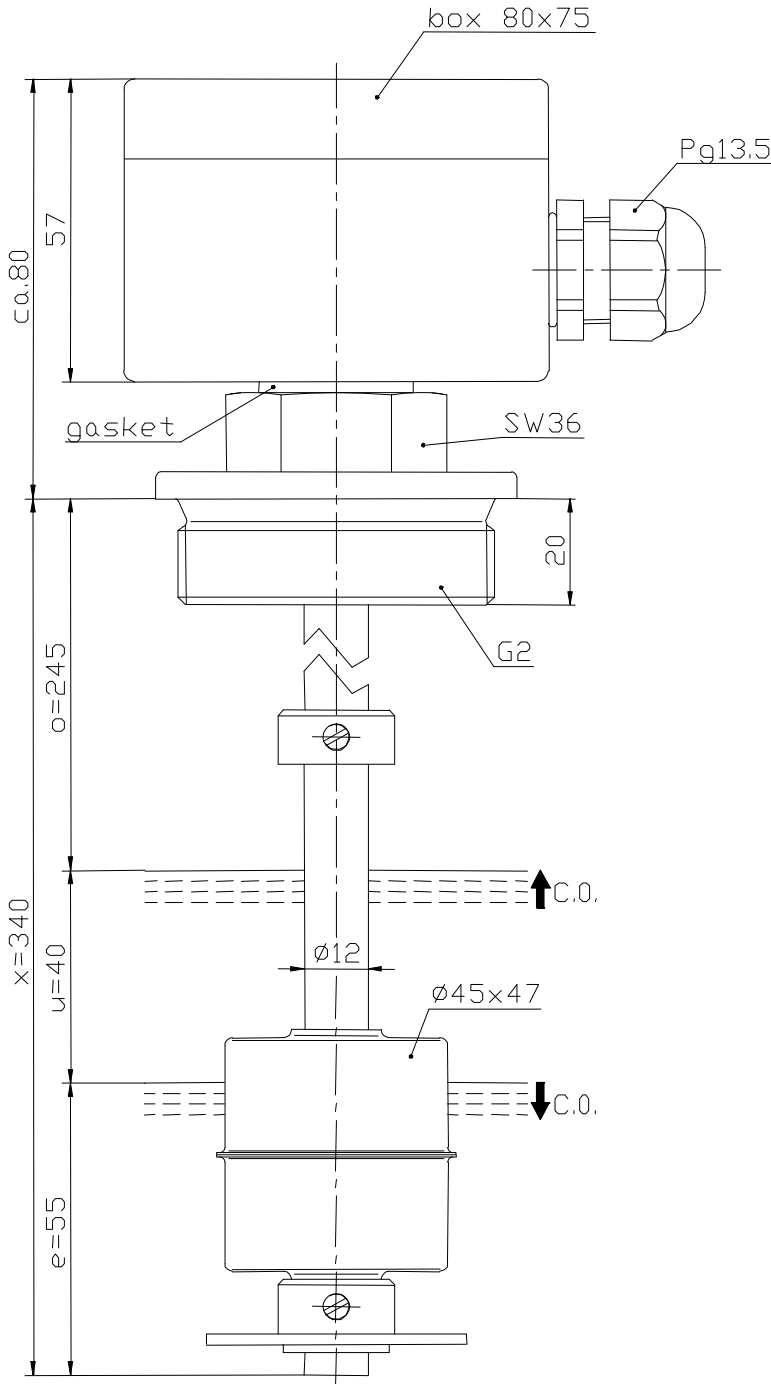
Technical Data

Float Switch

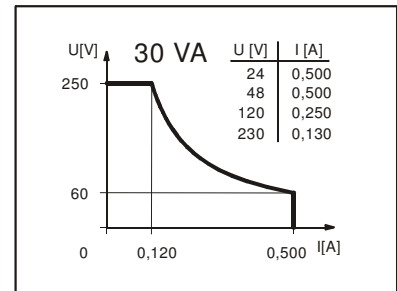
Standard float switches

Description **MAN-723 KCAN2S 0340**

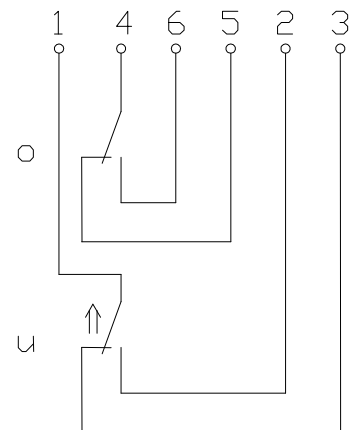
Article number **6825129029**



Performance diagram (maximum data)



Wiring diagram (without liquid)



Subject to change without notice.

Standard float switches

Description **MAN-723 KCAN2S 0340** Article number **6825129029**

Electrical data

| | | |
|--------------------|-------------------------|---|
| Reed contact | max. switching voltage | 250 V |
| | max. switching current | 0,5 A |
| | max. switching capacity | 30 VA |
| | mechanical life | 10 ⁷ to 10 ⁹ switches depending on the load |
| Switching element | | 1 change over contact, rising level |
| | | 1 change over contact, falling level |
| Direction category | | AC-21A and DC-21A acc. to DIN VDE 0660 T107 |
| Standard | | acc. to DIN VDE 0660 T200 |

Mechanical data

| | |
|----------------------------------|---|
| Terminal box material | GD-AlSi12 (3.2581.05) |
| Screw connection material G2 | X6CrNiMoTi17 12 2 (1.4571) |
| Screw connection material Pg13,5 | PA |
| Switching tube material | X6CrNiMoTi17 12 2 (1.4571) |
| Float material | X6CrNiMoTi17 12 2 (1.4571) |
| -density | about 0,7 g/cm ³ ±10% |
| -depth of immersion | 32 mm ±2 mm (to a fluid-density of 1 g/cm ³) |
| Adjusting ring material | X6CrNiMoTi17 12 2 (1.4571) |
| Grip screw material | X35CrMo17 (1.4122) |
| Distance disk material | X6CrNiMoTi17 12 2 (1.4571) |
| Gasket material | NBR |
| Ambient air temperature | -5 °C to +60 °C |
| Liquid temperature | -5 °C to +60 °C |
| Connection | connecting block inside the terminal bock |
| Protection type | IP 65 acc. to DIN VDE 0470 T1 |
| Max. pressure | 15 bar |

General details

Repeatability of switching points is ±0,05mm based on the same geometrical conditions as of a switch device.
 The measures of the switching points refer to a fluid-density of 1 g/cm³.
 The tolerance of the switching points is ±2mm
 Pay attention to the contact protection, when switching inductive loads. Maximum data must not be exceeded!