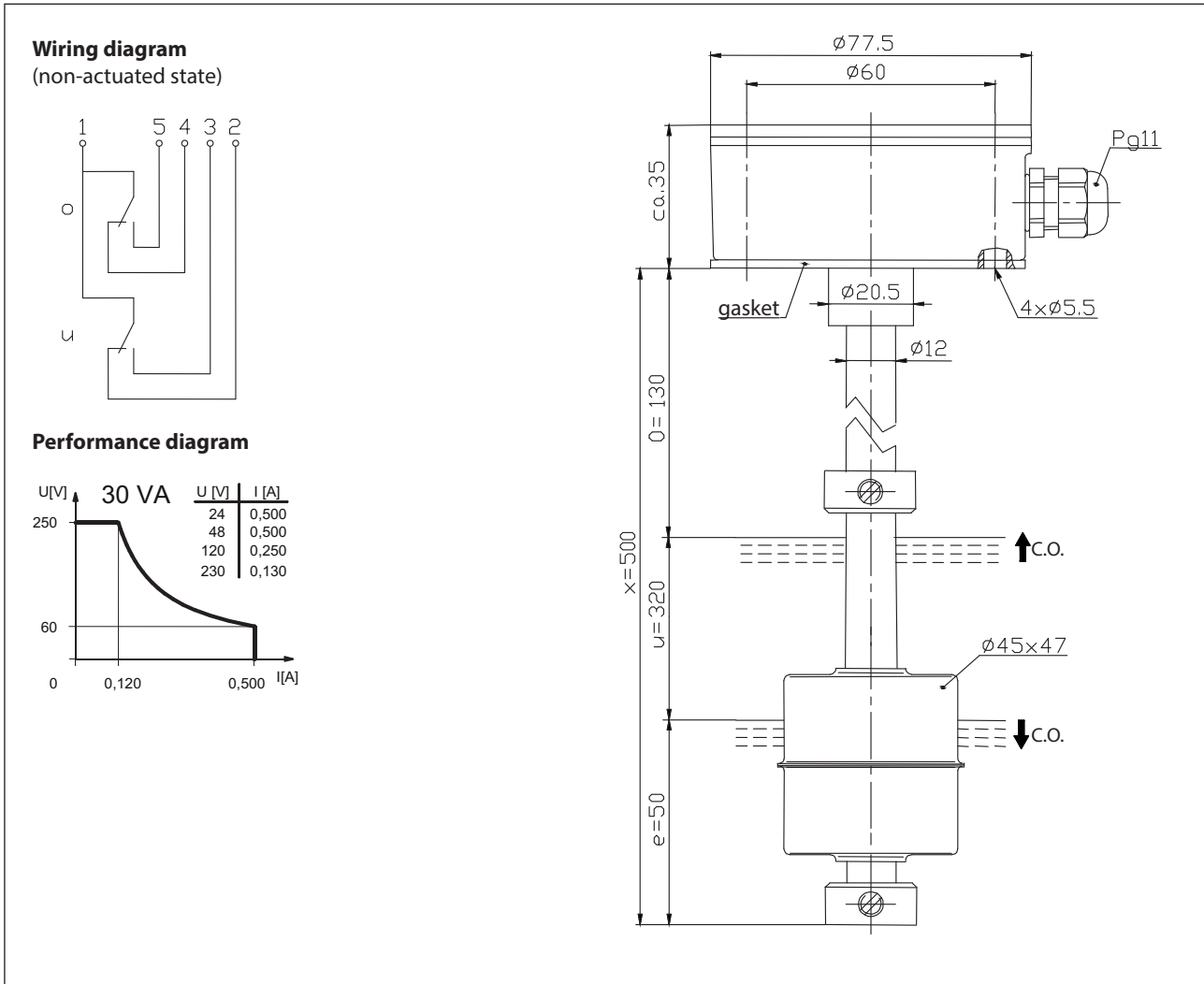


Float switch

Series Standard-Float switch

Description **MAN-723 KSS 0500**

Article number **6825125216**



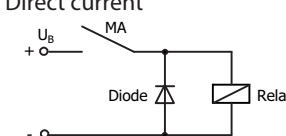
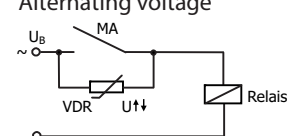
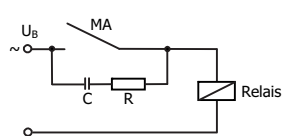
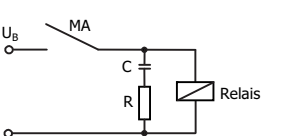
Characteristic features in accordance with EN 60947-5-1

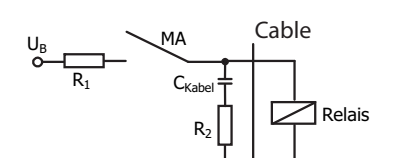
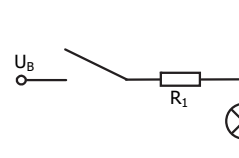
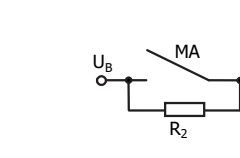
| Electrical data | |
|-------------------------|---|
| max. switching voltage | 250 V |
| max. switching current | 0,5 A |
| max. switching capacity | 30 VA |
| mechanical life | 10 ⁷ to 10 ⁹ switches depending on the load |
| Switching element | 1 x C.O., rising level 1 x C.O., falling level |
| Protection class | I |

| Mechanical data | |
|-------------------------|--|
| Terminal box material | GD-AlSi12 (3.2581.05) |
| Switching tube material | X6CrNiMoTi17-12-2 (1.4571) |
| Float material | X6CrNiMoTi17-12-2 (1.4571) |
| - density | about 0,7 g/cm ³ ±10 % |
| - depth of immersion | 32 mm ± 2 mm (to a fluid-density of 1 g/cm ³) |
| Adjusting ring material | X6CrNiMoTi17-12-2 (1.4571) |
| Gasket material | NBR |
| Ambient air temperature | -5 °C to +80 °C |
| Liquid temperature | -5 °C to +120 °C |
| Connection | Connecting block inside the terminal box |
| Protection type | IP 65 acc to IEC529 / EN 60529 |
| Max. pressure | 10 bar |

| EU Conformity |
|------------------------------|
| acc. to directive 2006/95/EC |

| General details |
|---|
| <p>Repeatability of switching points is ±0,05 mm based on the same geometrical conditions as of a switch device. The measures of the switching points refer to a fluid-density of 1 g/cm³. The tolerance of the switching points is ±2 mm Pay attention to the contact protection, when switching inductive or capacitive loads. Maximum data must not be exceeded!</p> |

| Inductive loads |
|---|
| <div style="display: flex; justify-content: space-around;"> <div style="text-align: center;"> <p>Direct current</p>  <p>Suppression of voltage peaks with a free-wheeling diode</p> </div> <div style="text-align: center;"> <p>Alternating voltage</p>  <p>Suppression of voltage peaks with a VDR</p> </div> <div style="text-align: center;">  <p>Suppression of voltage peaks with an RC element</p> </div> <div style="text-align: center;">  </div> </div> |

| Capacitive loads and lamp loads |
|--|
|    <p>Contact protection with resistors for limiting current</p> |