

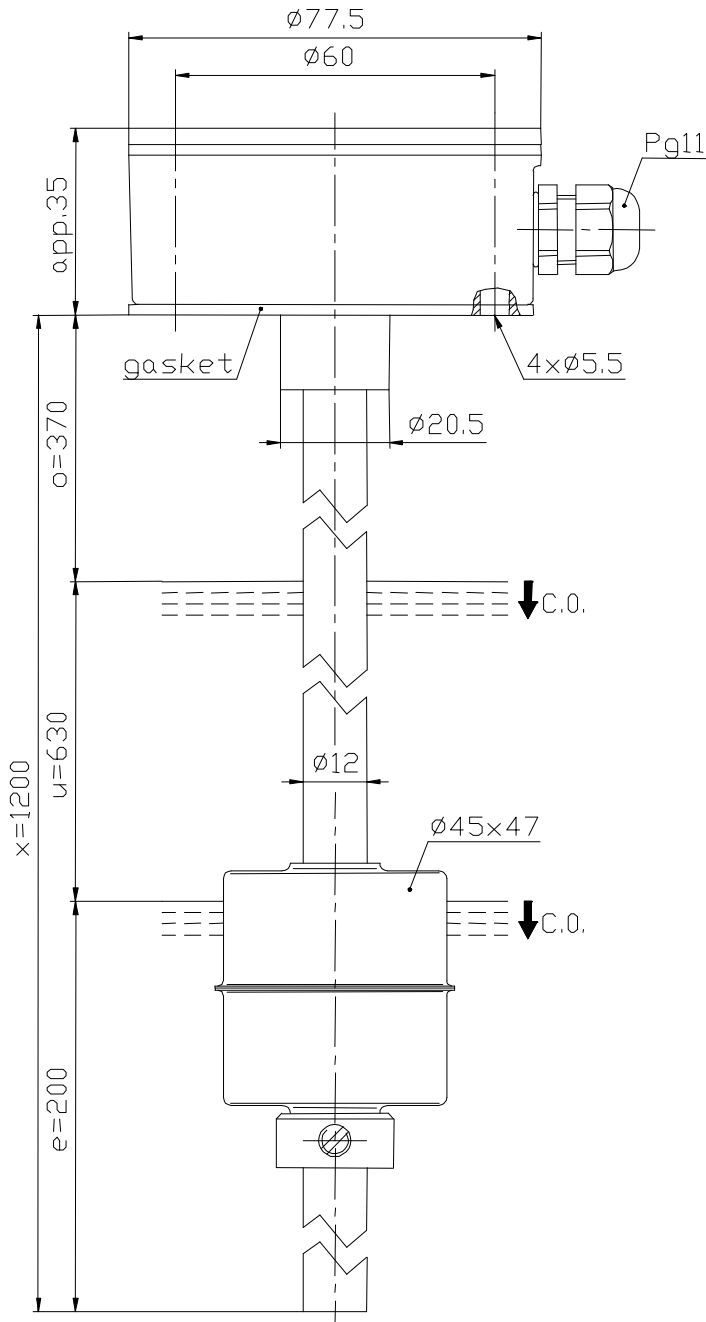
# Technical Data

## Float Switch

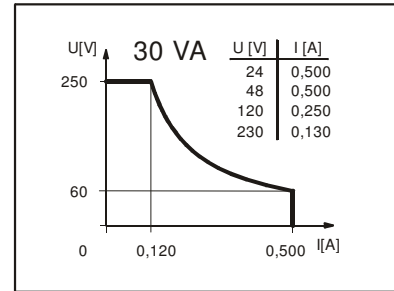
### Standard float switches

Description **MAN-723 KSS 1200**

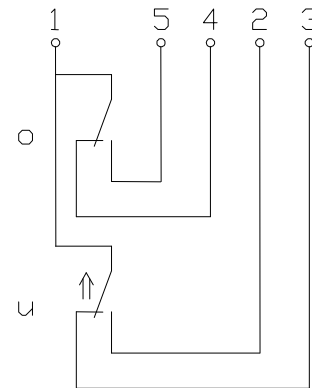
Article number **6825125214**



### Performance diagram (maximum data)



### Wiring diagram (without liquid)



Subject to change without notice.

Date of issue : 18.07.2007 / Page 1 of 2  
Document : 6825125214\_en.doc / Last update : 1

### Standard float switches

Description      **MAN-723 KSS 1200**      Article number      **6825125214**

#### Electrical data

|                    |                         |   |
|--------------------|-------------------------|---|
| Reed contact       | max. switching voltage  | 250 V   |
|                    | max. switching current  | 0,5 A   |
|                    | max. switching capacity | 30 VA   |
|                    | mechanical life         | 10 <sup>7</sup> to 10 <sup>9</sup> switches depending on the load |
| Switching element  |                         | 2 change over contact, falling level                              |
| Direction category |                         | AC-22A and DC-22A acc to DIN VDE 0660 T107                        |
| Standard           |                         | acc to DIN VDE 0660 T200  |

#### Mechanical data

|                         |  |   |
|-------------------------|--|---|
| Box material            | GK-AISI12 (3.2581.02)                    |   |
| Switching tube material | X6CrNiMoTi17-12-2 (1.4571)               |   |
| Float material          | X6CrNiMoTi17-12-2 (1.4571)               |   |
|                         | -density                                 | about 0,7 g/cm <sup>3</sup> ±10%                          |
|                         | -depth of immersion                      | 18 mm ±2 mm ( to a fluid-density of 1 g/cm <sup>3</sup> ) |
| Adjusting ring material | X6CrNiMoTi17-12-2 (1.4571)               |   |
| Gasket material         | NBR                                      |   |
| Ambient air temperature | -5°C to +60°C                            |   |
| Liquid temperature      | -5°C to +60°C                            |   |
| Connection              | connecting block inside the terminal box |   |
| Protection type         | IP 65 acc to DIN VDE 0470 T1             |   |
| Max. pressure           | 15 bar                                   |   |

#### General details

Repeatability of switching points is ±0,05mm based on the same geometrical conditions as of a switch device.

The measures of the switching points refer to a fluid-density of 1 g/cm<sup>3</sup>.

The tolerance of the switching points is ±2mm

Pay attention to the contact protection, when switching inductive loads. Maximum data must not be exceeded!