

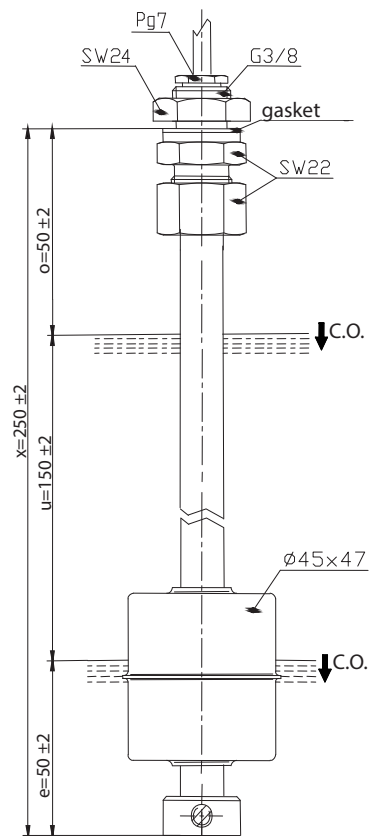
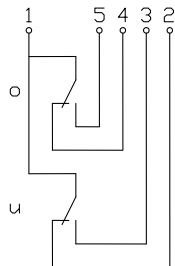
Float switch

Series Standard-Float switch

Description **MAN-723 KAS 0250**

Article number **6825122016**

Wiring diagram (non-actuated state)



Electrical data

Rated voltage	U_r	250 V
max. switching current		0,5 A
max. switching capacity		30 VA
Rated insulation voltage	U_i	300 V AC
Bemessungsstoßspannungsfestigkeit	U_{imp}	4 kV AC
Overvoltage category		II
Switching element		2 C.O., falling level
Protection class		II (totally insulated)

Mechanical data	
Compression bolting material Pg7	X8CrNiSi18-9 (1.4305)
Bolting material G3/8	X6CrNiMoTi17-12-2 (1.4571)
Hexagon nut material	X8CrNiSi18-9 (1.4305)
Switching tube material	X6CrNiMoTi17-12-2 (1.4571)
Float material	X6CrNiMoTi17-12-2 (1.4571)
- density	about 0,7 g/cm ³ ±10 %
- depth of immersion	32 mm ± 2 mm (to a fluid-density of 1 g/cm ³)
Gasket material	NBR
Grip ring material	X6CrNiMoTi17-12-2 (1.4571)
Ambient air temperature	-5 °C to +60 °C
Liquid temperature	-5 °C to +60 °C
Connection	Cable 5 x 0,5 mm ² x 2 m ± 5 %, PVC
Protection type	IP 65 acc to IEC529 / EN 60529
Max. pressure	10 bar

Standards
DIN EN 60947-5-1

EU Conformity
acc. to directive 2014/35/EU

General details
The measures of the switching points refer to a fluid-density of 1 g/cm ³ . The tolerance of the switching points is ±2 mm Pay attention to the contact protection, when switching inductive or capacitive loads. Maximum data must not be exceeded!

Inductive loads		
<p>Direct current</p> <p>Suppression of voltage peaks with a free-wheeling diode</p>	<p>Alternating voltage</p> <p>Suppression of voltage peaks with a VDR</p>	<p>Suppression of voltage peaks with an RC element</p>

Capacitive loads and lamp loads		
<p>Contact protection with resistors for limiting current</p>		