

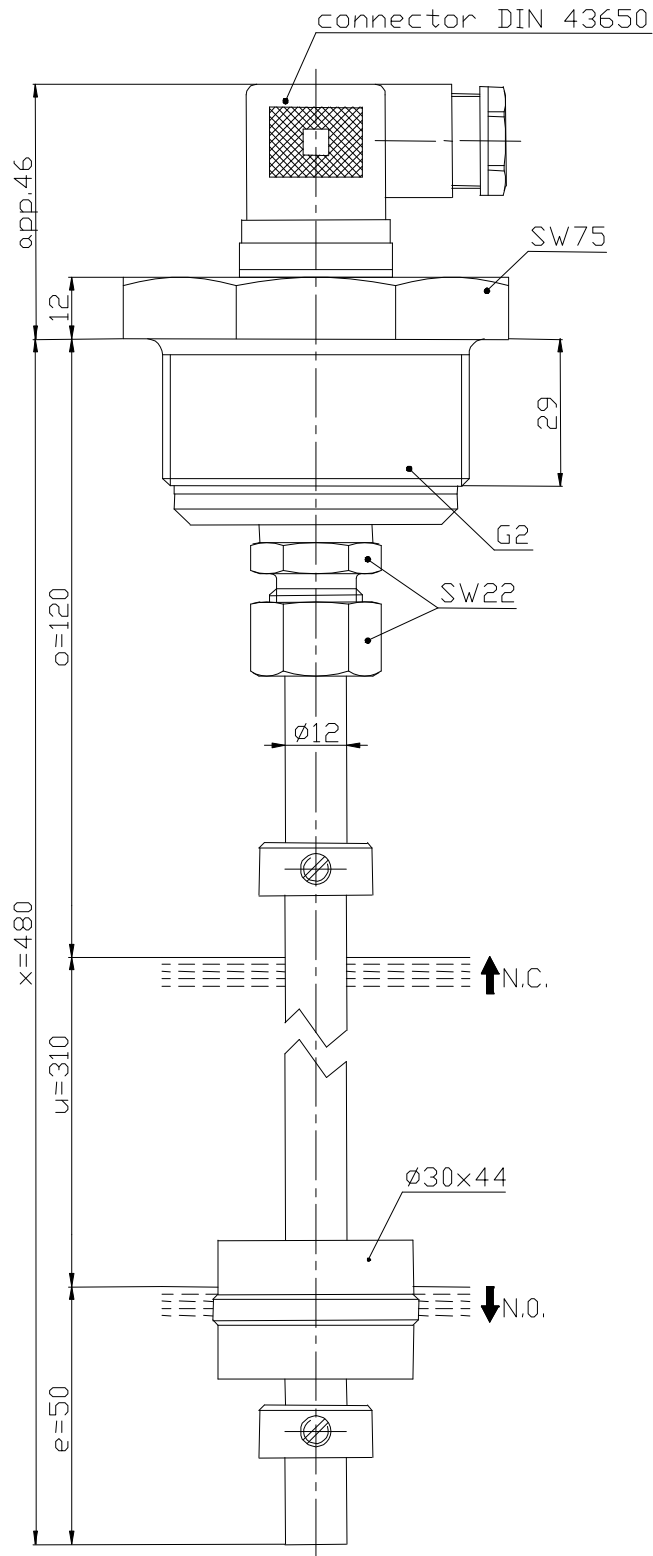
Technical Data

Float Switch

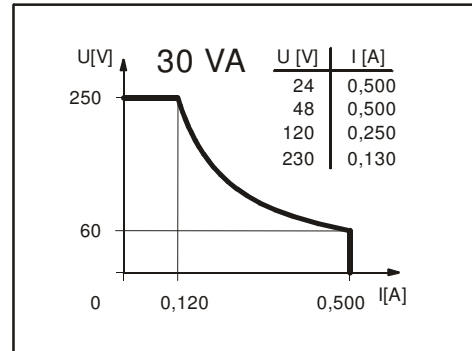
Standard float switches

Description **MAA-723 KKS 0480**

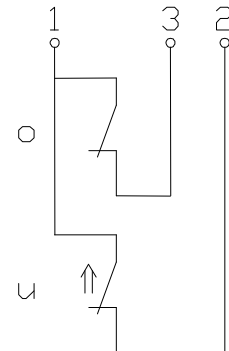
Article number **6825107002**



Performance diagram
(maximum data)



Wiring diagram
(matching to the drawing)



Subject to change without notice.

Standard float switches

Description **MAA-723 KKS 0480** Article number **6825107002**

Electrical data

Reed contact	max. switching voltage	250 V
	max. switching current	0,5 A
	max. switching capacity	30 VA
	mechanical life	10 ⁷ to 10 ⁹ switches depending on the load
Switching element		1 normally-closed contact, rising level 1 normally-open contact, rising level
Direction category		AC-22A and DC-22A acc to DIN VDE 0660 T107
Standard		acc to DIN VDE 0660 T200

Mechanical data

Screw connection material SW75	PVC	
Screw connection material SW22	X 6 CrNiMoTi 17 12 2 (1.4571)	
Plug-in connection material	PA	
Switching tube material	X 6 CrNiMoTi 17 12 2 (1.4571)	
Float material	POM	
	-density	about 0,7 g/cm ³ ±10%
	-depth of immersion	18 mm ±2 mm (to a fluid-density of 1 g/cm ³)
Adjusting ring material	X 6 CrNiMoTi 17 12 2 (1.4571)	
Gasket material	NBR	
Ambient air temperature	-5 °C to +60 °C	
Liquid temperature	-5 °C to +60 °C	
Connection	Plug-in connection acc. to DIN 43650	
Protection type	IP 65 acc to DIN VDE 0470 T1	
Max. pressure	10 bar	

General details

Repeatability of switching points is ±0,05mm based on the same geometrical conditions as of a switch device.
The measures of the switching points refer to a fluid-density of 1 g/cm³.
The tolerance of the switching points is ±2mm
Pay attention to the contact protection, when switching inductive loads. Maximum data must not be exceeded!