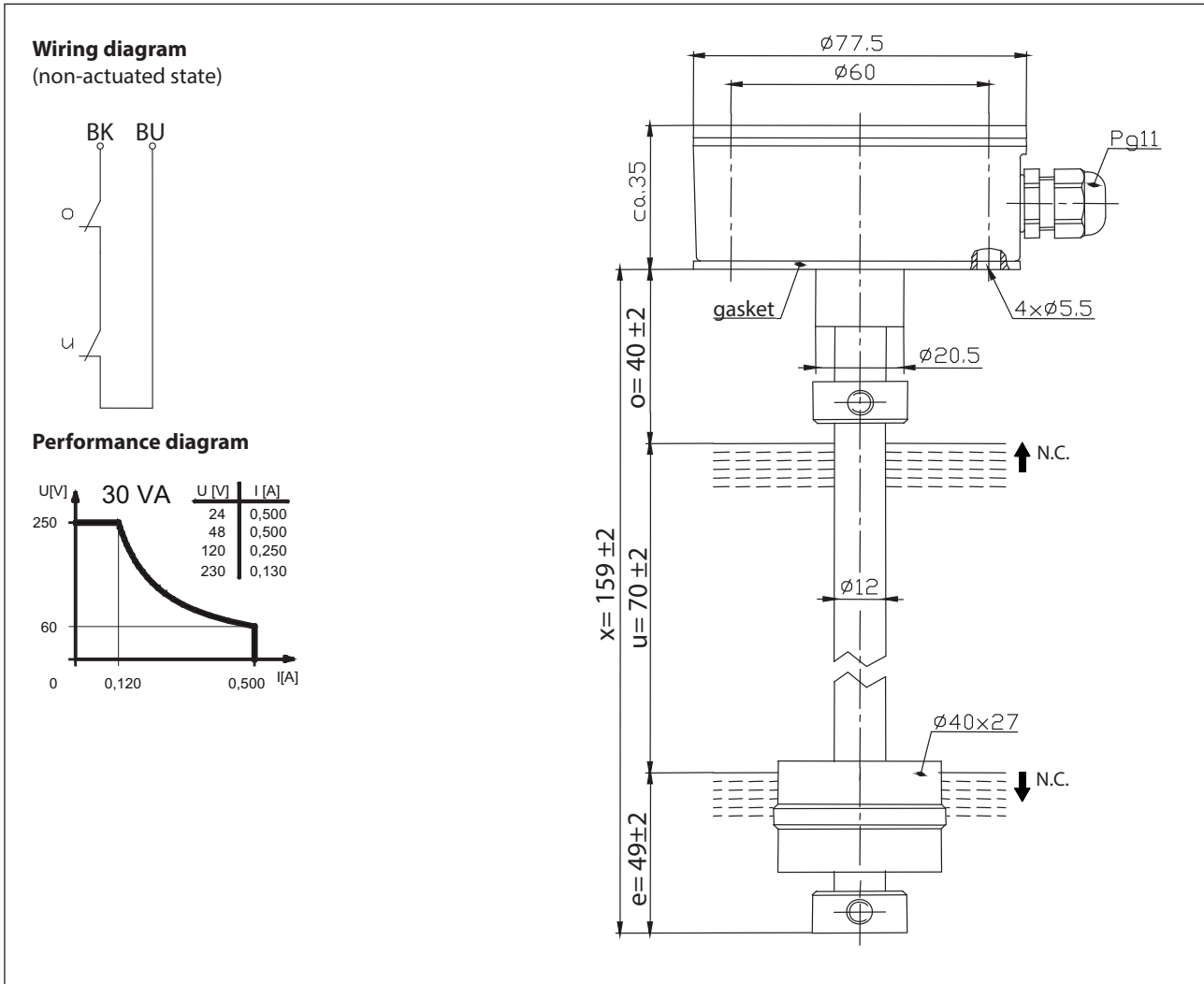


# Float switch

## Series Standard-Float switch

Description **MAA-721 KSS 0159**

Article number **6825105805**



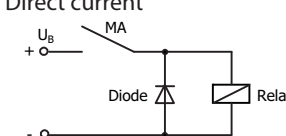
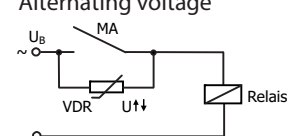
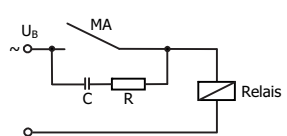
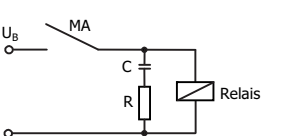
**Characteristic features in accordance with EN 60947-5-1**

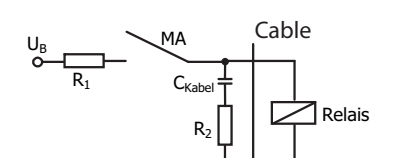
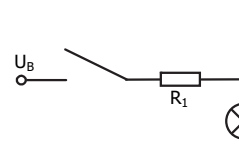
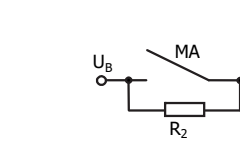
Electrical data	
max. switching voltage	250 V
max. switching current	0,5 A
max. switching capacity	30 VA
mechanical life	10 <sup>7</sup> to 10 <sup>9</sup> switches depending on the load
Switching element	1 x N.C., rising level 1 x N.C., falling level
Protection class	I

Mechanical data	
Terminal box material	Aluminium coated RAL 3016
Switching tube material	X6CrNiMoTi17-12-2 (1.4571)
Float material	POM
- density	about 0,7 g/cm <sup>3</sup> ±10 %
- depth of immersion	18 mm ± 2 mm ( to a fluid-density of 1 g/cm <sup>3</sup> )
Adjusting ring material	X6CrNiMoTi17-12-2 (1.4571)
Gasket material	NBR
Ambient air temperature	-5 °C to +60 °C
Liquid temperature	-5 °C to +60 °C
Connection	Connecting block inside the terminal box
Protection type	IP 65 acc to IEC529 / EN 60529
Max. pressure	10 bar

EU Conformity
acc. to directive 2006/95/EC

General details
<p>Repeatability of switching points is ±0,05 mm based on the same geometrical conditions as of a switch device.                      The measures of the switching points refer to a fluid-density of 1 g/cm<sup>3</sup>.                      The tolerance of the switching points is ±2 mm                      Pay attention to the contact protection, when switching inductive or capacitive loads. Maximum data must not be exceeded!</p>

Inductive loads
<div style="display: flex; justify-content: space-around;"> <div style="text-align: center;"> <p>Direct current</p>  <p>Suppression of voltage peaks with a free-wheeling diode</p> </div> <div style="text-align: center;"> <p>Alternating voltage</p>  <p>Suppression of voltage peaks with a VDR</p> </div> <div style="text-align: center;">  <p>Suppression of voltage peaks with an RC element</p> </div> <div style="text-align: center;">  </div> </div>

Capacitive loads and lamp loads
   <p>Contact protection with resistors for limiting current</p>