

Technical Data

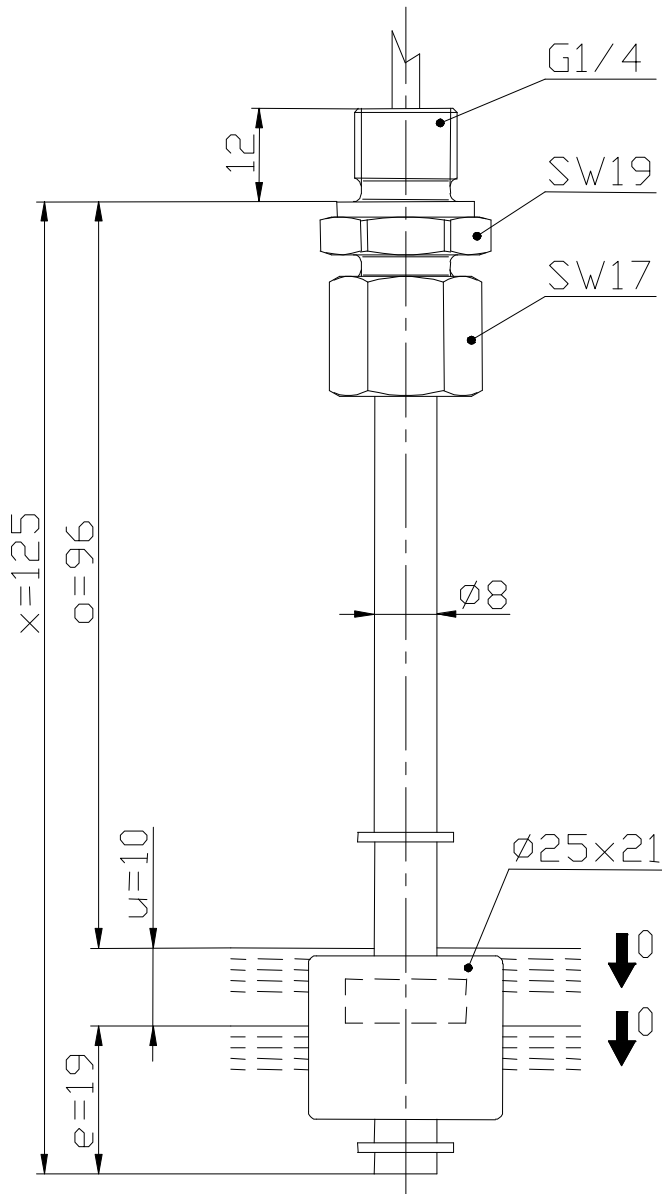
Float Switch

Mini-level float switches

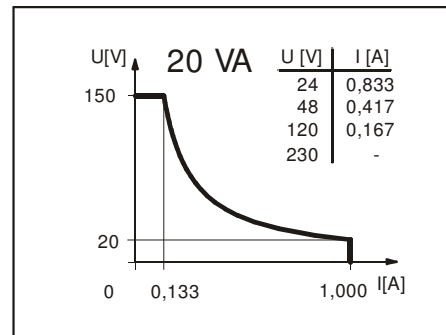
Description **MAY-721 BAS 0125**

Article number **6821262005**

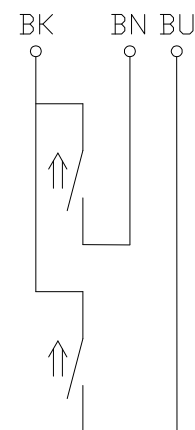
Delimon ID-No.: 39161-4793



Performance diagramm
(maximum data)



Wiring diagramm
(matching to the drawing)



Subject to change without notice.

Date of issue : 10.02.2006 / Page 1 of 2
Document : 6821262005_en.doc / Last update : 1

Mini-level float switches

Description **MAY-721 BAS 0125** Article number **6821262005**

Electrical data

Reed contact	max. switching voltage	150 V
	max. switching current	1,0 A
	max. switching capacity	20 VA
	mechanical life	10 ⁷ to 10 ⁹ switches depending on the load
Switching element		2 normally closed contact, falling level
Direction category		AC-22A and DC-22A acc to DIN VDE 0660 T107
Standard		acc to DIN VDE 0660 T200

Mechanical data

Screw connection material	Steel
Switching tube material	CuZn37 (2.0321)
Float material	PP
-density	about 0,53 g/cm ³ ±10%
-depth of immersion	12 mm ±2 mm (to a fluid-density of 1 g/cm ³)
Grip screw material	CuZn8 (2.1030)
Gasket material	NBR
Ambiente air temperature	-5°C bis +60 °C
Medium temperature	-5 °C bis +60 °C
Connection	0,13m cable, PVC, 3x0,14mm ² and Stocko-connector MKH 5133-1-0-300
Protection type	IP 65 acc to DIN VDE 0470 T1
Max. pressure	5 bar

General details

Reproducibility of switching points is ±0,05mm based on the same geometrical conditions as of a switch device.

The measures of the switching points refer to a fluid-tight of 1 g/cm³.

The tolerance of the switching points is ±2mm

Pay attention to the contact protection, when switching inductive loads. Maximum data must not be exceeded!