

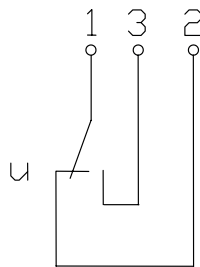
Float switch

Series Standard-Float switch

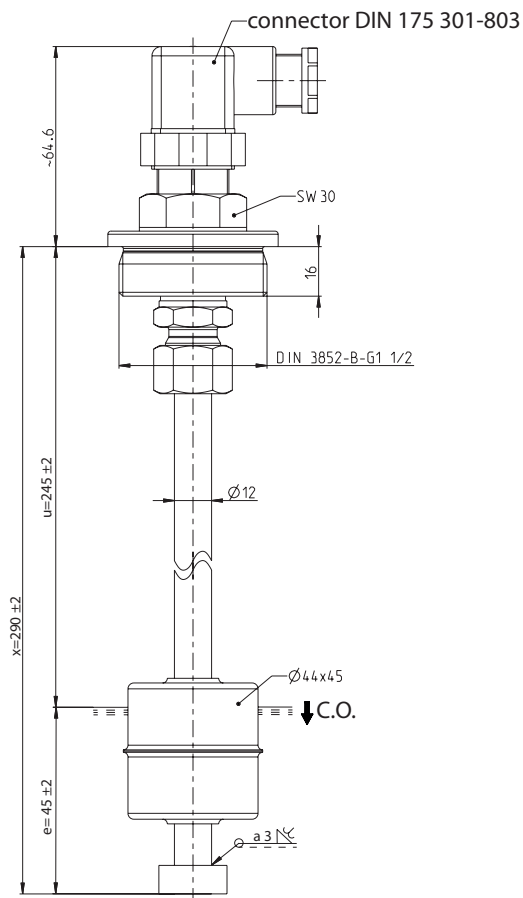
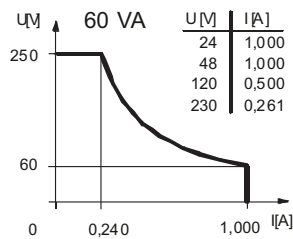
Description **MAN-713 KRS 0290**

Article number **6817126002**

Wiring diagram (non-actuated state)



Performance diagram



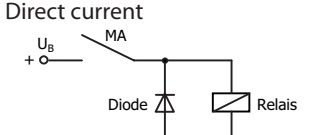
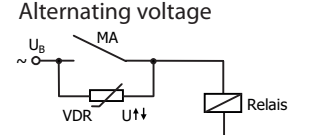
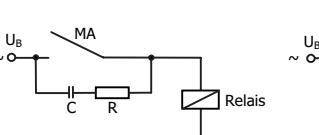
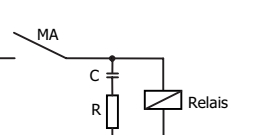
Electrical data		
Rated voltage	U_r	250 V
max. switching current		1,0 A
max. switching capacity		60 VA
min. switching capacity		3 VA
Rated insulation voltage	U_i	300 V AC
Rated impulse withstand voltage	U_{imp}	4 kV AC
Overvoltage category		II
Switching element		1 C.O., falling level
Protection class		II (totally insulated)

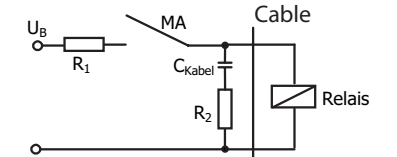
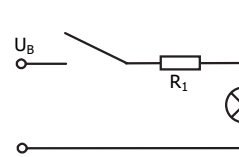
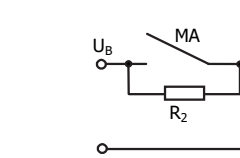
Mechanical data	
Tank screw connection material	S235JR (coating DIN 50961 -Fe/Zn 6B)
Cutting screw connection material	X6CrNiMoTi17-12-2 (1.4571)
Switching tube material	X6CrNiMoTi17-12-2 (1.4571)
Float material	X6CrNiMoTi17-12-2 (1.4571)
- density	about 0,7 g/cm ³ ±10 %
- depth of immersion	32 mm ± 2 mm (to a fluid-density of 1 g/cm ³)
End stop material	X6CrNiMoTi17-12-2 (1.4571)
Gasket material	Silicone
Ambient air temperature	-5 °C to +110 °C
Liquid temperature	-20 °C to +125 °C
Connection	Connector similar to DIN EN 175 301-803
Protection type	IP 65 acc to IEC529 / EN 60529 (only in fully locked position with it's plugs)
Max. pressure	10 bar

Standards
DIN EN 60947-5-1

EU Conformity
acc. to directive 2014/35/EU (Low-Voltage-Directive)

General details
The measures of the switching points refer to a fluid-density of 1 g/cm ³ . The tolerance of the switching points is ±2 mm Pay attention to the contact protection, when switching inductive or capacitive loads. Maximum data must not be exceeded!

Inductive loads
<div style="display: flex; justify-content: space-around;"> <div style="text-align: center;"> <p>Direct current</p>  <p>Suppression of voltage peaks with a free-wheeling diode</p> </div> <div style="text-align: center;"> <p>Alternating voltage</p>  <p>Suppression of voltage peaks with a VDR</p> </div> <div style="text-align: center;">  <p>Suppression of voltage peaks with an RC element</p> </div> <div style="text-align: center;">  </div> </div>

Capacitive loads and lamp loads
   <p>Contact protection with resistors for limiting current</p>