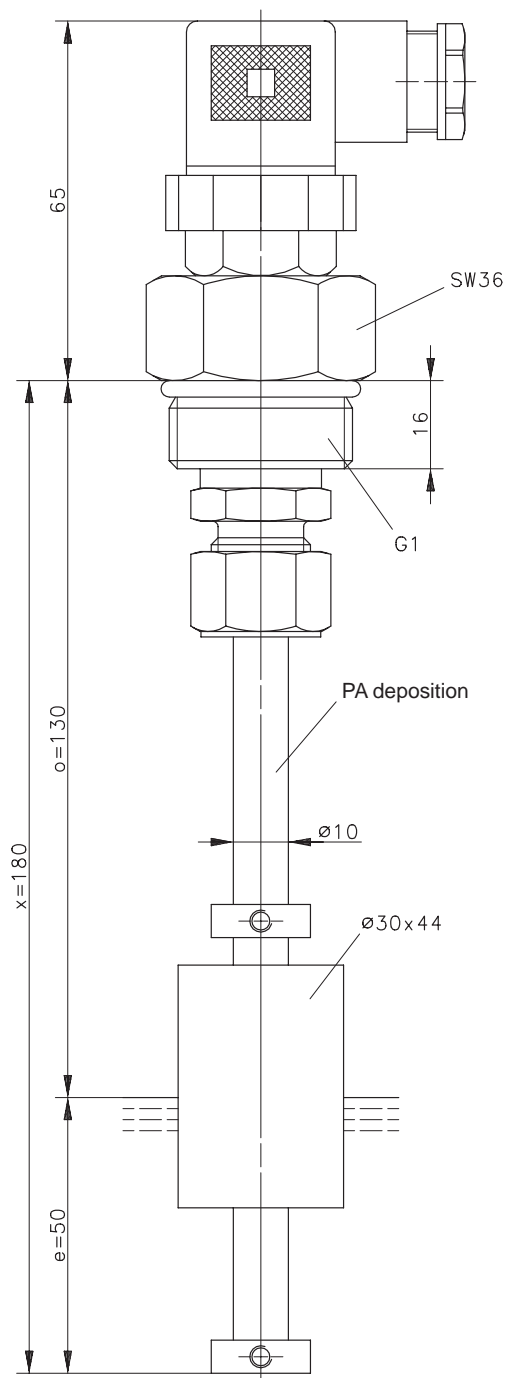
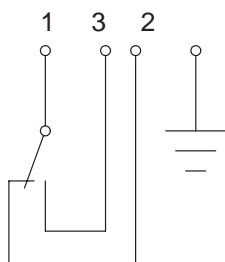
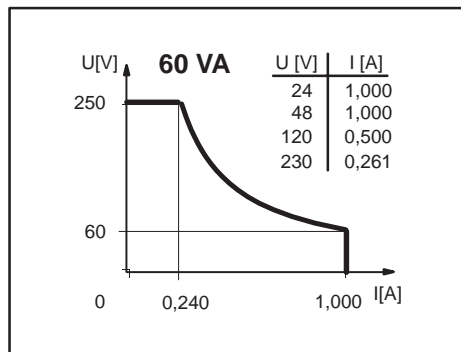


Type: **MAS-713 LYS**Art-No.: **681.6280.017**Date: **07.02.2000/2028****Wiring diagramme****Performance diagram**  
(maximum data)**Technical Data** (maximum data) :

max. voltage : 250 V  
 max. switching current : 1.0 A  
 max. switching capacity : 60 VA  
 direction category : AC-21A and DC-21A  
 acc. to DIN VDE 0660 T107,  
 ( IEC 947-3-1 / EN 60947-3-1 )

Pay attention to the contact protection, when switching inductive loads. Maximum data must not be exceeded !

protection type : IP 65 acc. to DIN VDE 0470 T1,  
 ( IEC 529 / EN 60529 )  
 switching function : 1 change-over contact, rising level  
 temperature range : form -5°C to +60°C  
 mech. lifetime : 10<sup>7</sup> to 10<sup>9</sup> switches  
 depending on the load

Reproducibility is ±0.05mm under same geometrical conditions according to one switch device.

**Mechanical Data :**

screw connection material : CuZn39Pb3 (2.0401)  
 switching tube material : CuZn37 (2.0321) with PA 11 deposition  
 float material : NBR  
 ( float-tight max. 0.45 g/cm<sup>3</sup> )  
 adjusting ring material : CuZn39Pb3 (2.0401)  
 gasket material : NBR  
 mode of connection : male plug, 3 pin, acc. to DIN 43650  
 standard : acc. to DIN VDE 0660 T200,  
 ( IEC 947-5-1 / EN 60947-5-1 )

**ATTENTION:** The measures of the switching points are related to a fluid-tight of 1 g/m<sup>3</sup>