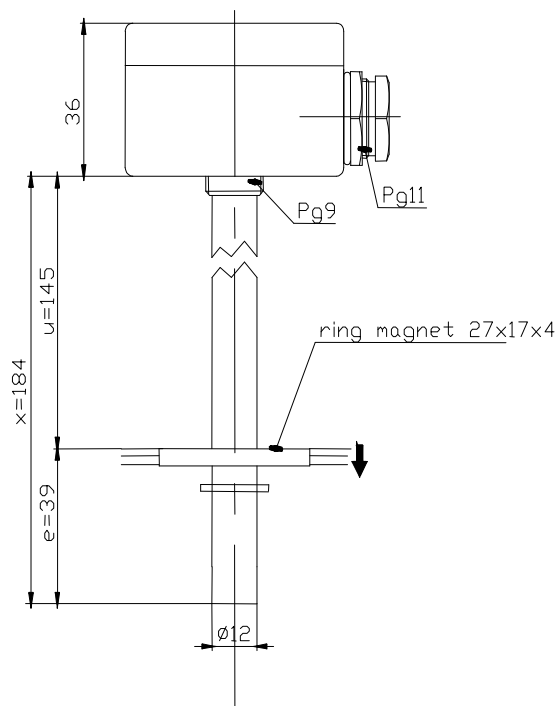
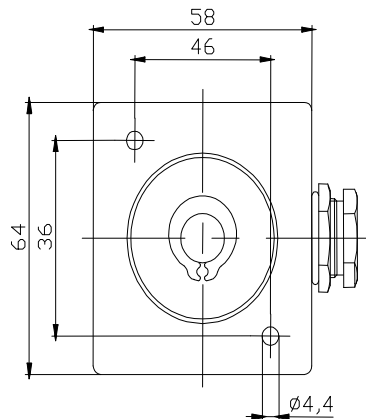


# Technical Data

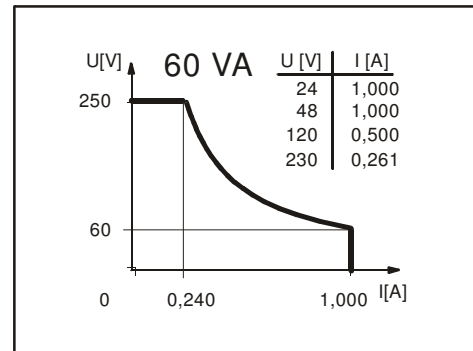
## Magnetic Float Switch

Typ: **MAM-713 LYS 0184**

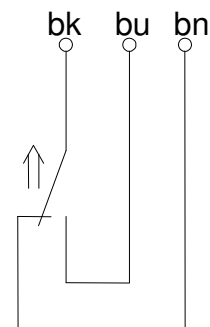
Art.-No.: **6816280007\_01**



### Performance diagram (maximum data)



### Wiring diagramm (without liquid)



### Electrical Data (maximum data)

|                    |   |       |
|--------------------|---|-------|
| contact:           | max. voltage  | 250 V |
|                    | max. switching current                                    | 1 A   |
|                    | max. switching capacity                                   | 60 VA |
| switching function | 1 change-over contact, falling level                      |       |
| direction category | AC-21A and DC-21A   |       |
| standard           | acc. to DIN VDE 0660 T107<br>(IEC 947-3-1 / EN 60947-3-1) |       |
|                    | acc. to DIN VDE 0660 T200<br>(IEC 947-5-1 / EN 60947-5-1) |       |

This document will not become the contractual basis; the details included herein do not constitute any descriptions of expected conditions, so that warranties/claims for defects on account of possible variations of the actual qualities from the qualities described herein are explicitly excluded. All rights reserved. Specifications subject to change without notice!

Date of issue: 13.11.2008 / Page 1 of 2  
Document : 6816280007\_01\_en.doc / Last update: 1 / 0000-00

# Technical Data

## Magnetic Float Switch

### Mechanical Data

|                            |   |
|----------------------------|---|
| box material               | GD-AISI12   |
| switching tube material    | CuZn37  |
| ring magnet DA27xDI17xH4mm | Hartferrit 7/21   |
| grip screw material        | CuSn8   |
| gasket material            | NBR   |
| temperature range          | from -5 °C to +60 °C  |
| fluid temperature          | from -5 °C to +60 °C  |
| mech. lifetime             | 10 <sup>7</sup> to 10 <sup>9</sup> switches depending on the load |
| mode of connection         | connection block inside the box                                   |
| protection class           | IP 65 acc. to DIN VDE 0470 T1<br>(ICE 529 / EN 60529)             |
| max. pressure              | 10 bar  |

### General details

Reproducibility of switching points is  $\pm 0.05$ mm based on the same geometrical conditions as of a switch device.

The measures of the switching points refer to a fluid-tight of 1 g/cm<sup>3</sup>.

The tolerance of the switching points is  $\pm 2$  mm.

Pay attention to the contact protection, when switching inductive loads. Maximum data must not be exceeded!

This document will not become the contractual basis; the details included herein do not constitute any descriptions of expected conditions, so that warranties/claims for defects on account of possible variations of the actual qualities from the qualities described herein are explicitly excluded. All rights reserved. Specifications subject to change without notice!

Date of issue: 13.11.2008 / Page 2 of 2  
Document : 6816280007\_01\_en.doc / Last update: 1 / 0000-00