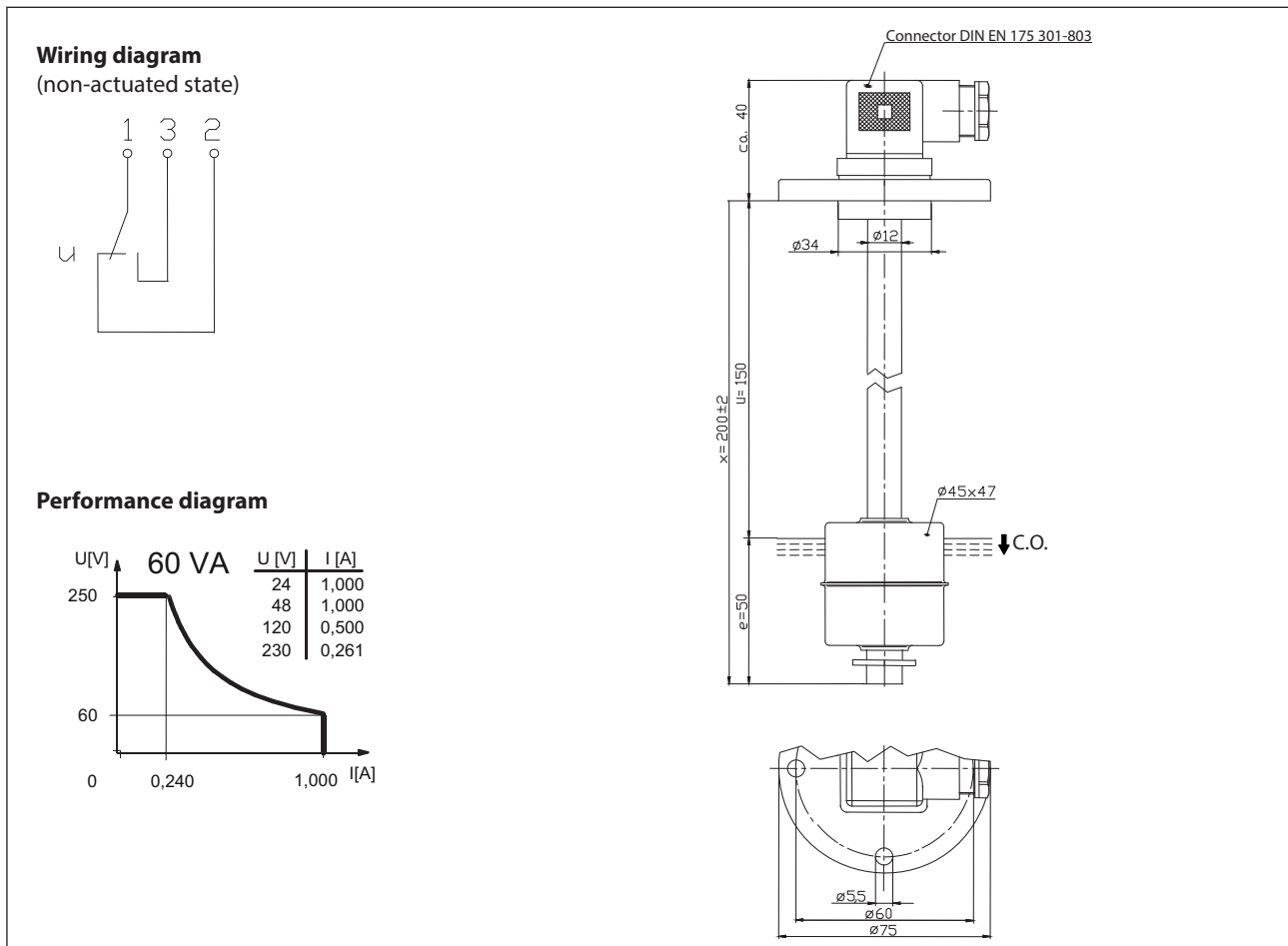


Float switch

Series Standard-Float switch

Description **MAP-713 LTS 0200**

Article number **6816230004**



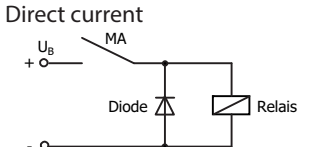
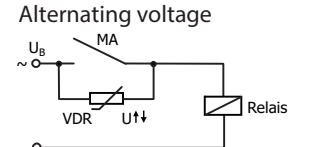
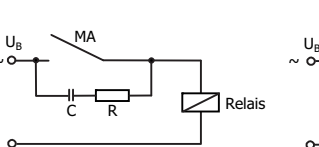
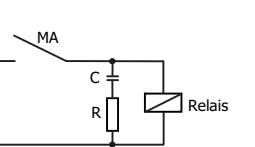
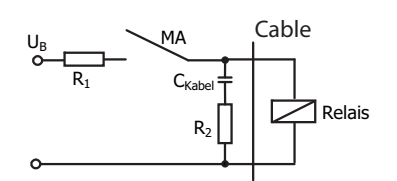
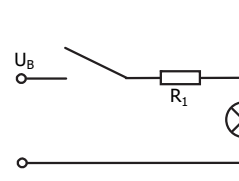
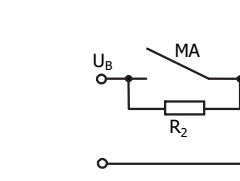
| Electrical data | |
|---------------------------------|---------------------------|
| Rated voltage | U_r 250 V |
| max. switching current | 1,0 A |
| max. switching capacity | 60 VA |
| min. switching capacity | 3 VA |
| Rated insulation voltage | U_i 300 V AC |
| Rated impulse withstand voltage | U_{imp} 4 kV AC |
| Overvoltage category | II |
| mechanical life | 10^7 to 10^9 switches |
| Switching element | 1 x C.O., falling level |
| Protection class | II (totally insulated) |

| Mechanical data | |
|-------------------------|---|
| Flange material | CuZn39Pb3 (CW614N) |
| Switching tube material | CuZn37 (CW508L) |
| Float material | X6CrNiMoTi 17-12-2 (1.4571) |
| - density | about 0,7 g/cm ³ ±10 % |
| - depth of immersion | 32 mm ± 2 mm (to a fluid-density of 1 g/cm ³) |
| Grip screw material | CuSn8 (CW453K) |
| Gasket material | NBR |
| Ambient air temperature | -5 °C to +120 °C |
| Liquid temperature | -5 °C to +120 °C |
| Connection | Connector acc. to DIN EN 175 301-803 |
| Protection type | IP 65 acc to IEC529 / EN 60529 (only in fully locked position with it's plugs) |
| Max. pressure | 15 bar |

| Standards |
|------------------|
| DIN EN 60947-5-1 |

| EU Conformity |
|------------------------------|
| acc. to directive 2014/35/EU |

| General details |
|---|
| The measures of the switching points refer to a fluid-density of 1 g/cm ³ . The tolerance of the switching points is ±2 mm Pay attention to the contact protection, when switching inductive or capacitive loads. Maximum data must not be exceeded! |

| Inductive loads | | | |
|---|--|---|---|
| <p>Direct current</p>  <p>Suppression of voltage peaks with a free-wheeling diode</p> | <p>Alternating voltage</p>  <p>Suppression of voltage peaks with a VDR</p> |  <p>Suppression of voltage peaks with an RC element</p> |  |
| Capacitive loads and lamp loads | | | |
|  <p>Contact protection with resistors for limiting current</p> |  |  | |