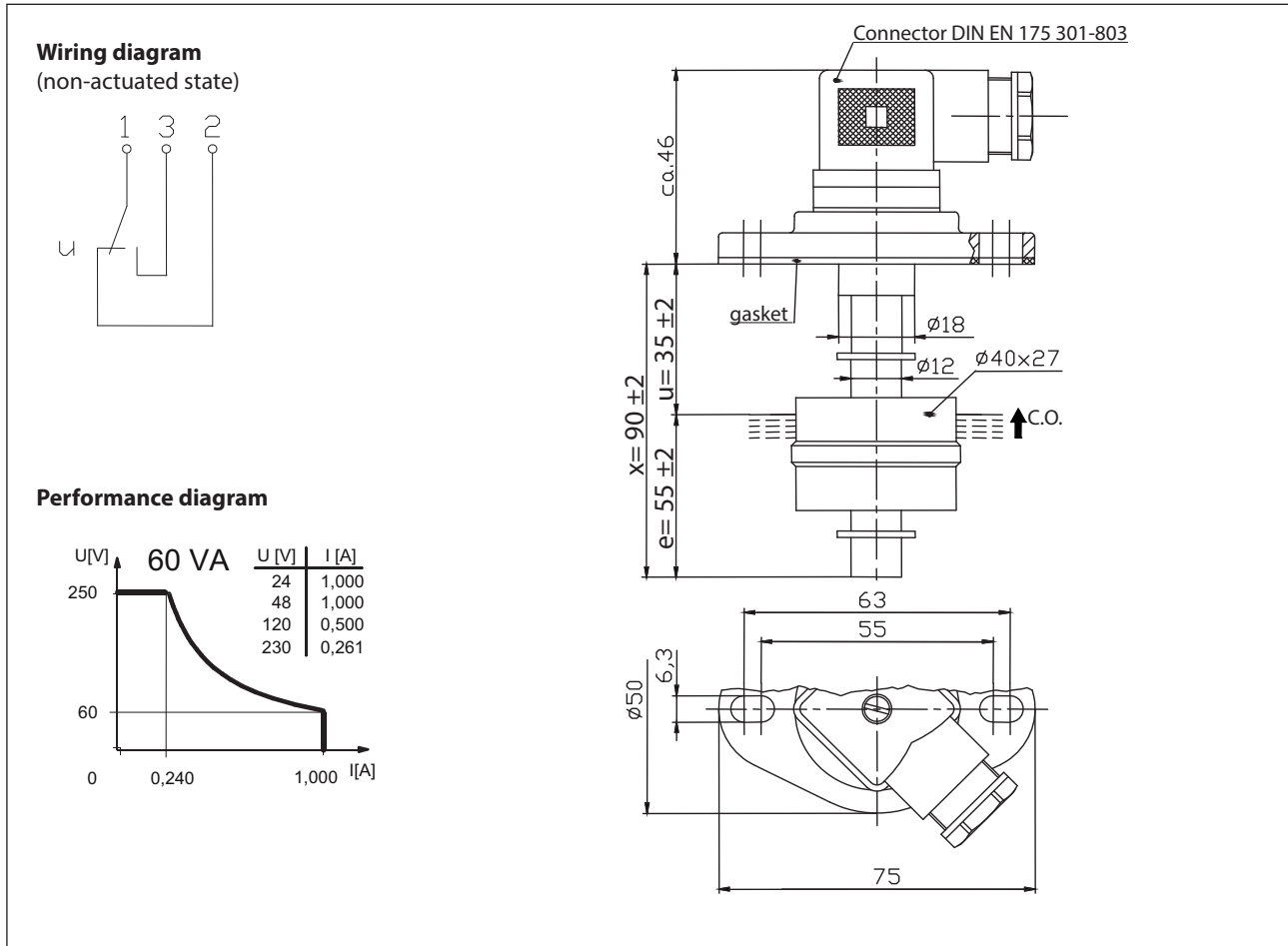


Float switch

Series Standard-Float switch

Description **MAM-713 LTOS 0090**

Article number **6816204010**



Electrical data			
Rated voltage	U_r	250 V	
max. switching current		1,0 A	
max. switching capacity		60 VA	
min. switching capacity		3 VA	
Rated insulation voltage	U_i	300 V AC	
Rated impulse withstand voltage	U_{imp}	4 kV AC	
Overvoltage category		II	
Switching element		1 C.O., rising level	
Protection class		II (totally insulated)	

Mechanical data	
Flange material	PA6.6
Switching tube material	CuZn37 (CW508L)
Float material	POM
- density	about 0,7 g/cm ³ ±10 %
- depth of immersion	18 mm ± 2 mm (to a fluid-density of 1 g/cm ³)
Grip screw material	CuSn8 (CW453K)
Gasket material	NBR
Ambient air temperature	-5 °C to +60 °C
Liquid temperature	-5 °C to +60 °C
Connection	Connector acc. to DIN EN 175 301-803
Protection type	IP 65 acc to IEC529 / EN 60529 (only in fully locked position with it's plugs)
Max. pressure	5 bar

Standards
DIN EN 60947-5-1

EU Conformity
acc. to directive 2014/35/EU (Low-Voltage-Directive)

General details
The measures of the switching points refer to a fluid-density of 1 g/cm ³ . The tolerance of the switching points is ±2 mm Pay attention to the contact protection, when switching inductive or capacitive loads. Maximum data must not be exceeded!

Inductive loads

Direct current

Suppression of voltage peaks with a free-wheeling diode

Alternating voltage

Suppression of voltage peaks with a VDR

Suppression of voltage peaks with an RC element

Capacitive loads and lamp loads

Cable

Contact protection with resistors for limiting current