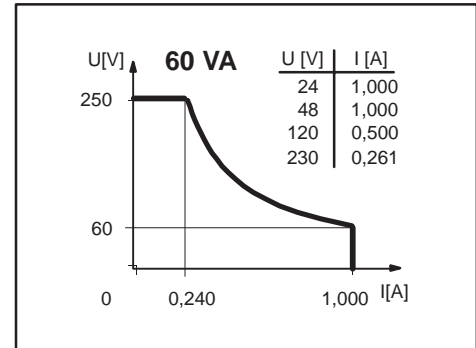


Performance diagram
(maximum data)



Electrical Data (maximum data) :

- contact
 - max. voltage : 250 V
 - max. switching current : 1 A
 - max. switching capacity : 60 VA
- switching function : change-over contact, falling level
- direction category : AC-21A and DC-21A
acc. to DIN VDE 0660 T107
(IEC 947-3-1 / EN 60947-3-1)
- standard : acc. to DIN VDE 0660 T200
(IEC 947-5-1 / EN 60947-5-1)

Pay attention to the contact protection, when switching inductive loads.
Maximum data must not be exceeded !

Technical Data :

- mode of connection : socket-joint according to DIN 43650
- protection type : IP 65 acc. to DIN VDE 0470 T1
(IEC 529 / EN 60529)
only with female socket
- temperature range : form -5°C to +60°C
- fluid temperature : form -5°C to +60°C
- max. pressure : 5 bar
- mech. lifetime : 10^7 to 10^9 switches depending on the load

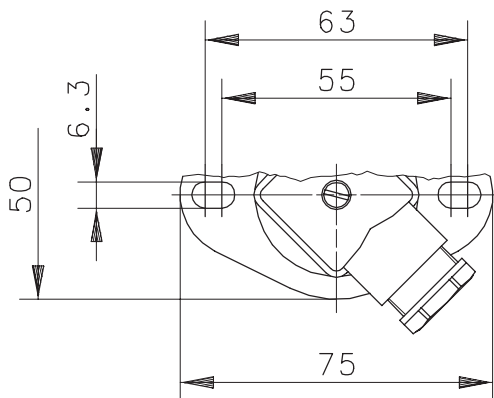
Reproducibility is ± 0.05 mm under same geometrical conditions according to one switch device.

ATTENTION :

The measures of the switching points are related to a fluid-tight of 1 g/cm³
The tolerance of the switching points are ± 2 mm

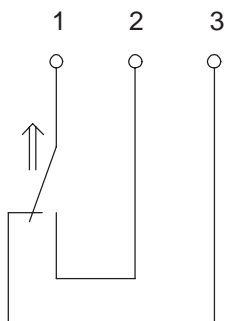
Mechanical Data :

- flange material : PA 66
- switching tube material : CuZn37(2.0321)
- float material : POM
- tightness : about 0.7 g/cm³ $\pm 10\%$
- depth of immersion : 18 mm ± 2 mm (to a fluid-tight of 1 g/cm³)
- guard ring material : CuSn8(2.1030)
- gasket material : NBR



Wiring diagram

(matching to the drawing)



created 16.01.2002 Häßler
checked 16.01.2002 Limbach