

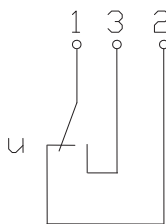
## Float switch

### Series Standard-Float switch

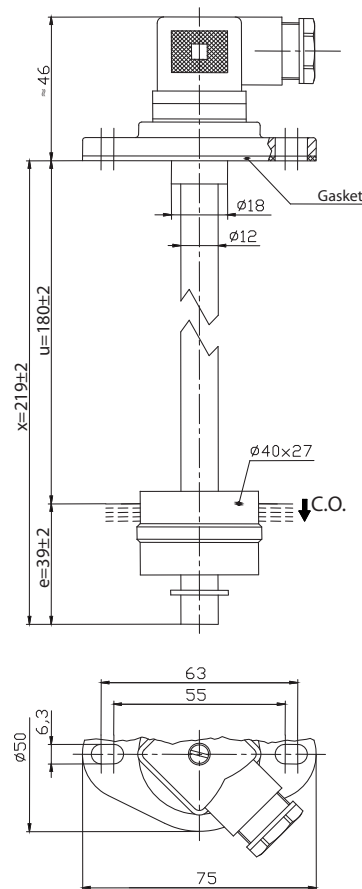
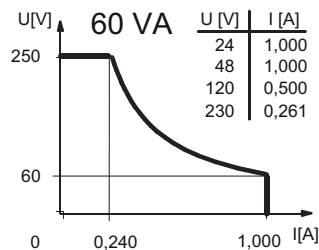
Description **MAM-713 LT05 0219**

Article number **6816200015**

#### Wiring diagram (non-actuated state)



#### Performance diagram



#### Electrical data

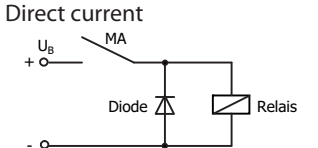
Rated voltage	$U_r$	250 V
max. switching current		1,0 A
max. switching capacity		60 VA
min. switching capacity		3 VA
Rated insulation voltage	$U_i$	300 V AC
Rated impulse withstand voltage	$U_{imp}$	4 kV AC
Overvoltage category		II
Switching element		1 x C.O., falling level
Protection class		II (totally insulated)

Mechanical data	
Flange material	PA6.6
Switching tube material	CuZn37 (CW508L)
Float material	POM
- density	about 0,7 g/cm <sup>3</sup> ±10 %
- depth of immersion	18 mm ± 2 mm ( to a fluid-density of 1 g/cm <sup>3</sup> )
Grip screw material	CuSn8 (CW453K)
Gasket material	NBR
Ambient air temperature	-5 °C to +60 °C
Liquid temperature	-5 °C to +60 °C
Connection	Connector acc. to DIN EN 175 301-803
Protection type	IP 65 acc to IEC529 / EN 60529 (only in fully locked position with it's plugs)
Max. pressure	5 bar

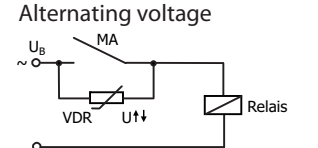
Standards
DIN EN 60947-5-1

EU Conformity
acc. to directive 2014/35/EU (Low-Voltage-Directive)

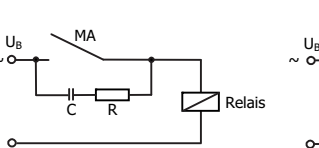
**Inductive loads**



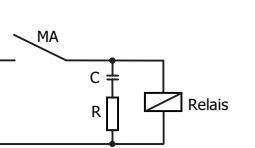
Suppression of voltage peaks with a free-wheeling diode



Suppression of voltage peaks with a VDR

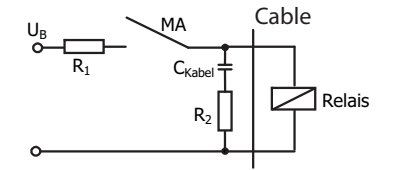


Suppression of voltage peaks with an RC element



Suppression of voltage peaks with an RC element

**Capacitive loads and lamp loads**



Contact protection with resistors for limiting current

