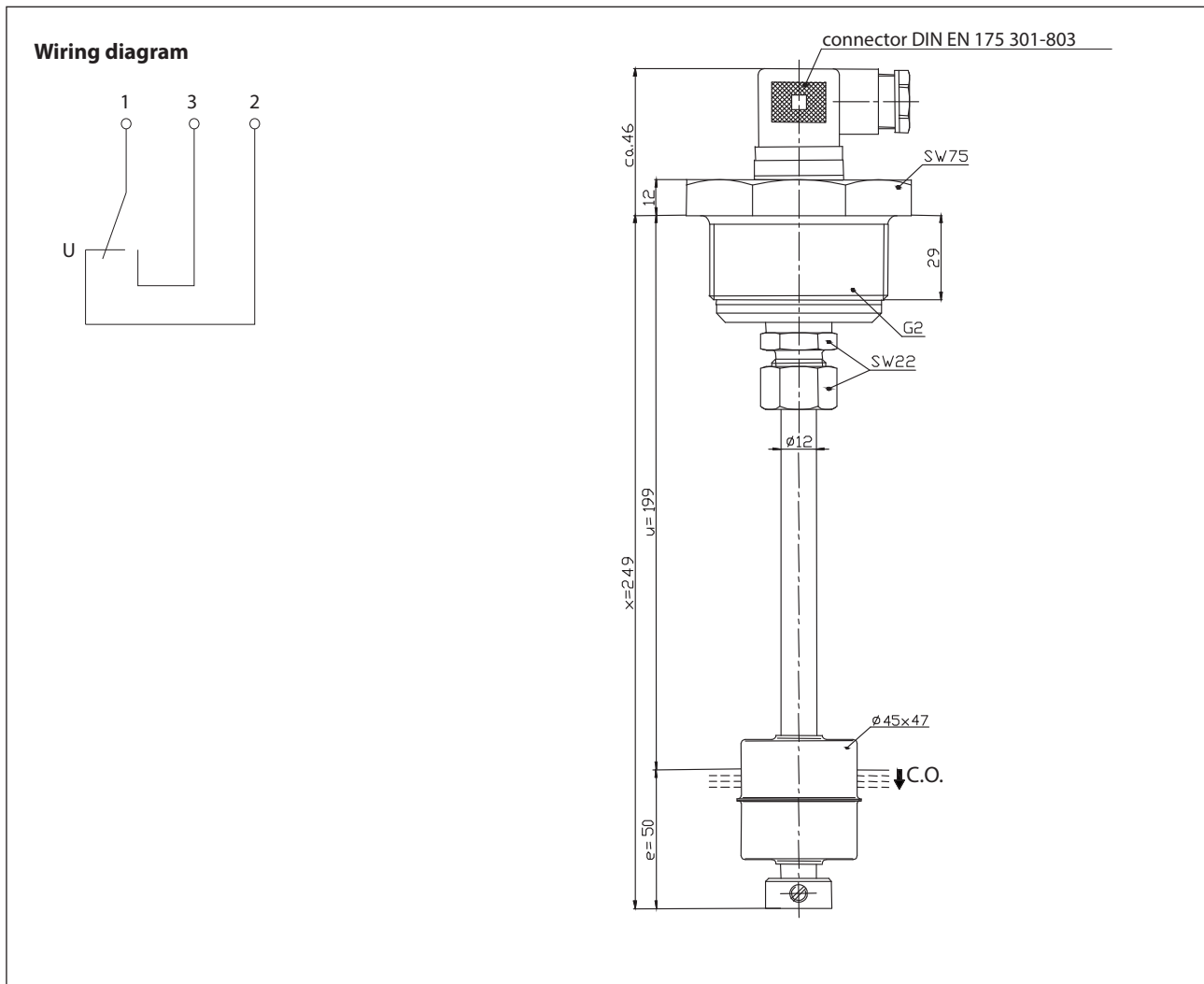


Float switch

Series Standard-Float switch

Description **MAN-713 LKS 0249**

Article number **6816130002**



Characteristic features in accordance with EN 60947-5-1

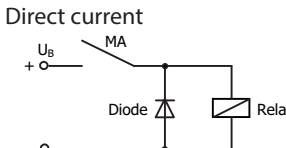
Electrical data		
Operational voltage range	U_b	10-36 V
max. switching current		1,0 A
max. switching capacity		60 VA
min. switching capacity		3 VA
mechanical life		10^7 to 10^9 switches depending on the load
Switching element		1 x change-over contact , falling level
Protection class		III

Mechanical data	
Bolting material AF75	PVC
Bolting material AF22	CuZn35Ni (2.0540)
Switching tube material	X6CrNiMoTi17-12-2 (1.4571)
Float material	X6CrNiMoTi17-12-2 (1.4571)
- density	about 0,7 g/cm ³ ±10 %
- depth of immersion	32 mm ± 2 mm (to a fluid-density of 1 g/cm ³)
Adjusting ring material	X6CrNiMoTi17-12-2 (1.4571)
Gasket material	NBR
Ambient air temperature	-5 °C to +60 °C
Liquid temperature	-5 °C to +60 °C
Connection	Connector acc. to DIN EN 175 301-803
Protection type	IP 65 acc to IEC529 / EN 60529 (only in fully locked position with it's plugs)
Max. pressure	10 bar

General details

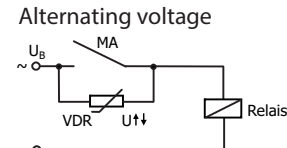
Repeatability of switching points is ±0,05 mm based on the same geometrical conditions as of a switch device.
 The measures of the switching points refer to a fluid-density of 1 g/cm³.
 The tolerance of the switching points is ±2 mm
 Pay attention to the contact protection, when switching inductive or capacitive loads. Maximum data must not be exceeded!

Inductive loads



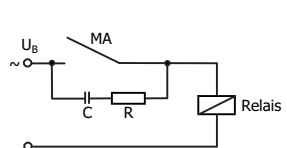
Direct current

Suppression of voltage peaks with a free-wheeling diode



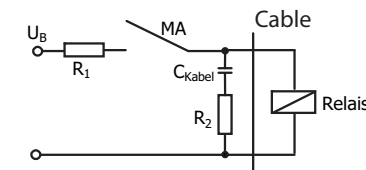
Alternating voltage

Suppression of voltage peaks with a VDR



Suppression of voltage peaks with an RC element

Capacitive loads and lamp loads



Contact protection with resistors for limiting current

