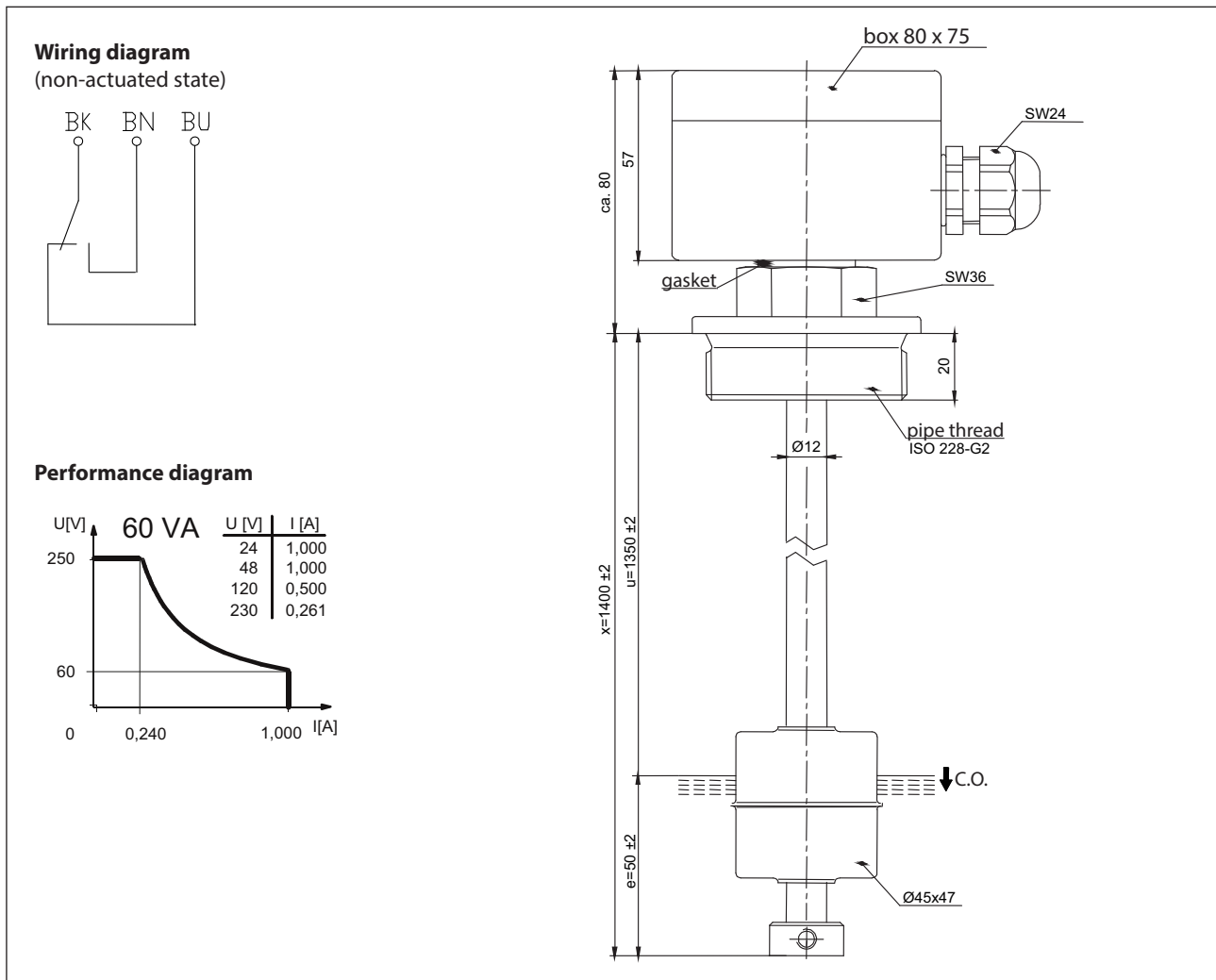


# Float switch

## Series Standard-Float switch

Description **MAN-713 LR2,0S 1400**

Article number **6816129003**



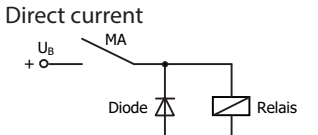
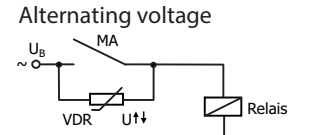
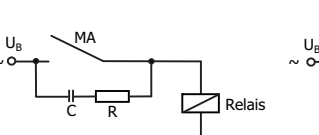
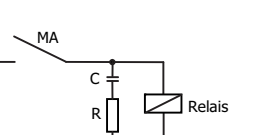
### Characteristic features in accordance with EN 60947-5-1

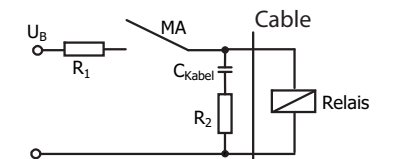
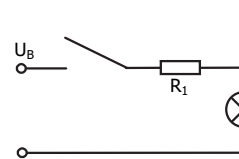
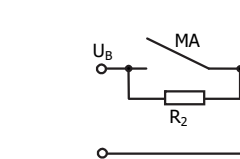
Electrical data	
max. switching voltage	250 V
max. switching current	1,0 A
max. switching capacity	60 VA
min. switching capacity	3 VA
mechanical life	10 <sup>7</sup> to 10 <sup>9</sup> switches depending on the load
Switching element	1 x C.O., falling level
Protection class	I

Mechanical data	
Terminal box material	Aluminium coated RAL 7001
Bolting material	X6CrNiMoTi17-12-2 (1.4571)
Cable gland material	PA6
Switching tube material	X6CrNiMoTi17-12-2 (1.4571)
Float material	X6CrNiMoTi 17-12-2 (1.4571)
- density	about 0,69 g/cm <sup>3</sup> ±10 %
- depth of immersion	32 mm ± 2 mm ( to a fluid-density of 1 g/cm <sup>3</sup> )
Adjusting ring material	X6CrNiMoTi17-12-2 (1.4571)
Gasket material	NBR and Klingersil
Ambient air temperature	-5 °C to +60 °C
Liquid temperature	-5 °C to +60 °C
Connection	Connecting block inside the terminal box Cable gland with sealing range 4 - 9 mm
Protection type	IP 65 acc to IEC529 / EN 60529
Max. pressure	5 bar

EU Conformity
acc. to directive 2006/95/EC

General details
<p>Repeatability of switching points is ±0,05 mm based on the same geometrical conditions as of a switch device.                      The measures of the switching points refer to a fluid-density of 1 g/cm<sup>3</sup>.                      The tolerance of the switching points is ±2 mm                      Pay attention to the contact protection, when switching inductive or capacitive loads. Maximum data must not be exceeded!</p>

Inductive loads
<div style="display: flex; justify-content: space-between;"> <div style="width: 24%;"> <p><b>Direct current</b></p>  <p>Suppression of voltage peaks with a free-wheeling diode</p> </div> <div style="width: 24%;"> <p><b>Alternating voltage</b></p>  <p>Suppression of voltage peaks with a VDR</p> </div> <div style="width: 24%;">  <p>Suppression of voltage peaks with an RC element</p> </div> <div style="width: 24%;">  </div> </div>

Capacitive loads and lamp loads
   <p>Contact protection with resistors for limiting current</p>

**EG-Konformitätserklärung / EC-Declaration of Conformity / Déclaration de conformité - CE**

Diese Konformitätserklärung entspricht der europäischen Norm DIN EN ISO/IEC 17050-1: Konformitätsbewertung – Konformitätserklärung von Anbietern – Teil 1: Allgemeine Anforderungen. Die Grundlage der Kriterien sind internationale Dokumente, insbesondere ISO/IEC-Leitfaden 22, 1982, Informations on manufacturer's declaration of conformity with standards or other technical specifications. Die deutsche Sprachfassung ist die Originalkonformitätserklärung. Bei anderen Sprachen handelt es sich um die Übersetzung der Originalkonformitätserklärung.

This Declaration of Conformity is suitable to the European Standard EN ISO/IEC 17050-1: Conformity assessment – Supplier's declaration of conformity – Part 1: General requirements. The basis for the criteria has been found in international documentation, particularly in: ISO/IEC Guide 22, 1982, Informations on manufacturer's declaration of conformity with standards or other technical specifications. The original Declaration of Conformity is the German language version. Other languages are a translation of the original Declaration of Conformity.

Cette déclaration de conformité correspond au Norme Européenne EN ISO/IEC 17050-1: Évaluation de la conformité – Déclaration de conformité du fournisseur – Partie 1: Exigences générales. La base des directives sont des documents internationaux répondant à ISO/IEC-Guide 22, 1982, Informations on manufacturer's declaration of conformity with standards or other technical specifications. La version allemande est la langue d'origine de la déclaration de conformité. Les autres langues ne sont qu'une traduction de la déclaration de conformité en langue allemande.

Wir / We / Nous

**BERNSTEIN AG**

(Name des Anbieters) / (Supplier's name) / (Nom du fournisseur)

**Hans-Bernstein-Straße 1  
D-32457 Porta Westfalica**

(Anschrift) / (Address) / (Adresse)

**erklären in alleiniger Verantwortung, dass das (die) Produkt(e):**  
declare under our sole responsibility that the product(s):  
déclarons sous notre seule responsabilité que le(s) produit(s):

**MAN-713 LR2,oS 1400 Artikelnummer 681.6129.003**

(Bezeichnung, Typ oder Modell, Los-, Chargen- oder Serien-Nr., möglichst Herkunft und Stückzahl)  
(Name, type or model, batch or serial number, possibly sources and number of items)  
(Nom, type ou modèle, n° de lot, d'échantillon ou de série, éventuellement les sources et le nombre d'exemplaires)

**mit folgenden Europäischen Richtlinien übereinstimmt (übereinstimmen):**  
is (are) in conformity with the following directives:  
est (sont) conforme(s) aux directives européennes:

**Niederspannungsrichtlinie-Nr.: 2006/95/EG**

**Dies wird nachgewiesen durch die Einhaltung folgender Norm(en):**  
This is documented by the accordance with the following standard(s):  
Notre justification est l'observation de la (des) norme(s) suivante(s):

**DIN EN 60947-5-1 : 2010-04  
ausgenommen Anhänge A und K****Jahreszahl der CE Kennzeichenvergabe:**Year of CE marking: **15**

Année du marquage CE :

**Porta Westfalica, 04.09.2015**

(Ort und Datum der Ausstellung)

(Place and date of issue)

(Date et lieu)

**Gisela Bernstein****Vorstandsvorsitzende**

(Name, Position, Unterschrift)

(Name, status, signature)

(Nom, fonction, signature)