

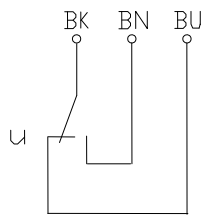
Float switch

Series Standard-Float switch

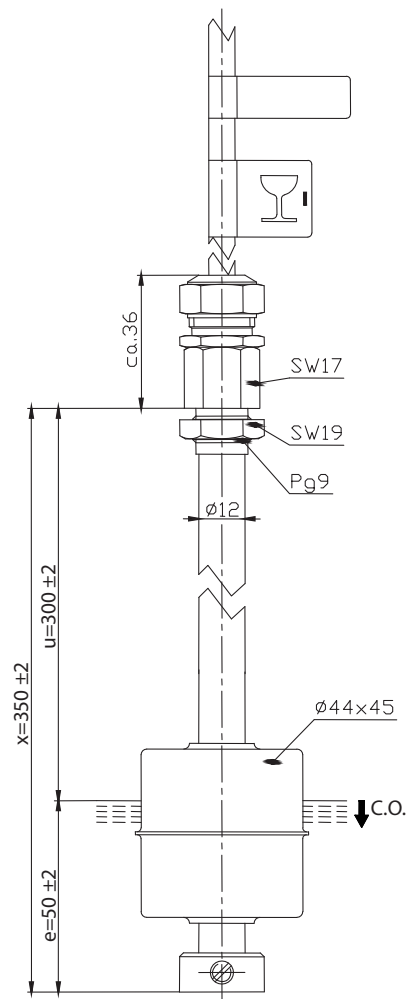
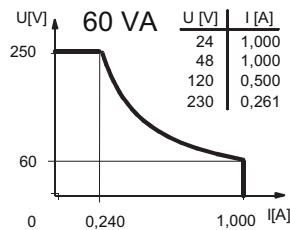
Description **MAN-713 LVS 0350**

Article number **6816121033**

Wiring diagram (non-actuated state)



Performance diagram



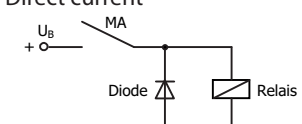
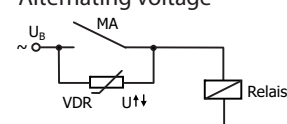
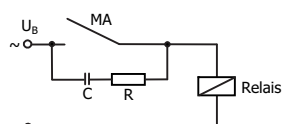
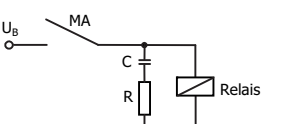
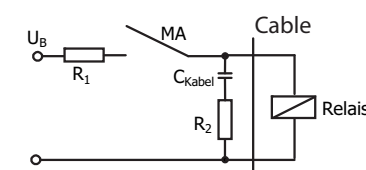
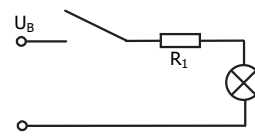
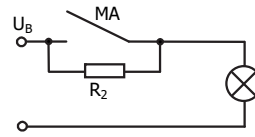
Electrical data		
Rated voltage	U_r	250 V
max. switching current		1,0 A
max. switching capacity		60 VA
min. switching capacity		3 VA
Rated insulation voltage	U_i	300 V AC
Rated impulse withstand voltage	U_{imp}	4 kV AC
Overvoltage category		II
mechanical life		10^7 to 10^9 switches
Switching element		1 x C.O., falling level
Protection class		II (totally insulated)

Mechanical data	
Bolting material	X6CrNiMoTi17-12-2 (1.4571)
Hexagon nut material	X6CrNiMoTi17-12-2 (1.4571)
Switching tube material	X6CrNiMoTi17-12-2 (1.4571)
Float material	X6CrNiMoTi17-12-2 (1.4571)
- density	about 0,7 g/cm ³ ±10 %
- depth of immersion	32 mm ± 2 mm (to a fluid-density of 1 g/cm ³)
Adjusting ring material	X6CrNiMoTi17-12-2 (1.4571)
Gasket material	NBR
Ambient air temperature	-5 °C to +120 °C
Liquid temperature	-5 °C to +120 °C
Connection	Cable 3 x 0,75 mm ² x 2 m ± 5 %, silicone
Protection type	IP 65 acc to IEC529 / EN 60529
Max. pressure	15 bar

Standards
DIN EN 60947-5-1

EU Conformity
acc. to directive 2014/35/EU

General details
The measures of the switching points refer to a fluid-density of 1 g/cm ³ . The tolerance of the switching points is ±2 mm Pay attention to the contact protection, when switching inductive or capacitive loads. Maximum data must not be exceeded!

Inductive loads
<div style="display: flex; justify-content: space-between;"> <div style="width: 24%;"> <p>Direct current</p>  <p>Suppression of voltage peaks with a free-wheeling diode</p> </div> <div style="width: 24%;"> <p>Alternating voltage</p>  <p>Suppression of voltage peaks with a VDR</p> </div> <div style="width: 24%;">  <p>Suppression of voltage peaks with an RC element</p> </div> <div style="width: 24%;">  </div> </div>
Capacitive loads and lamp loads
   <p>Contact protection with resistors for limiting current</p>