

Float switch

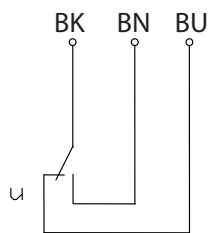
Series Standard-Float switch

Description **MAA-713 LSS 0699**

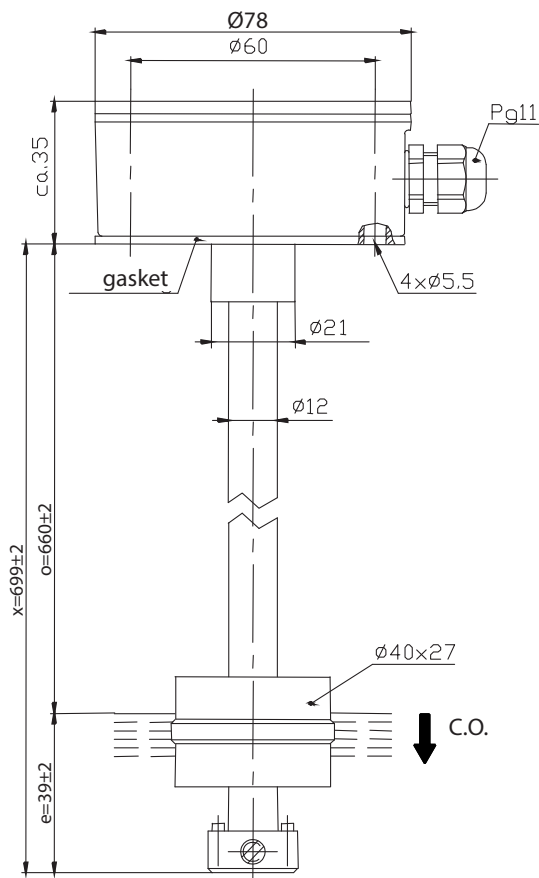
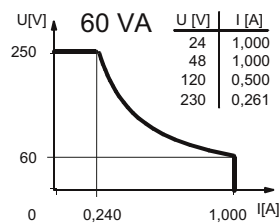
Article number **6816105269**

Wiring diagram

(non-actuated state)



Performance diagram



Electrical data

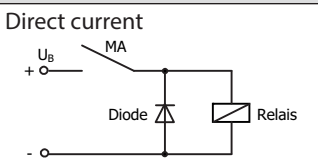
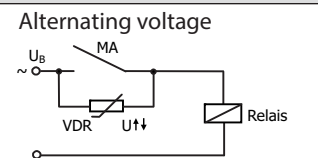
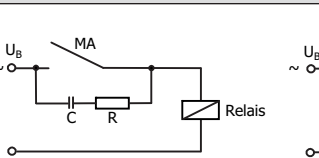
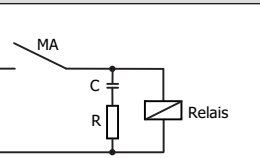
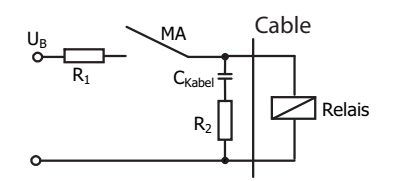
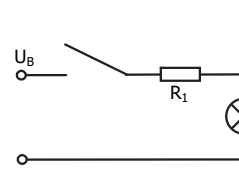
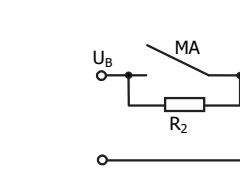
Rated voltage	U_r	250 V
max. switching current		1,0 A
max. switching capacity		60 VA
min. switching capacity		3 VA
Rated insulation voltage	U_i	300 V AC
Rated impulse withstand voltage	U_{imp}	2,5 kV AC
Overvoltage category		II
Switching element		1 C.O., falling level
Protection class		I

Mechanical data	
Terminal box material	Aluminium coated RAL 3016
Cable gland material	PA
Switching tube material	X6CrNiMoTi17-12-2 (1.4571)
Float material	POM
- density	about 0,7 g/cm ³ ±10 %
- depth of immersion	18 mm ± 2 mm (to a fluid-density of 1 g/cm ³)
Adjusting ring material	X6CrNiMoTi17-12-2 (1.4571)
Gasket material	NBR
Ambient air temperature	-5 °C to +60 °C
Liquid temperature	-5 °C to +60 °C
Connection	Connecting block inside the terminal box
Protection type	IP 65 acc to IEC529 / EN 60529
Max. pressure	10 bar

Standards
DIN EN 60947-5-1

EU Conformity
acc. to directive 2014/35/EU (Low-Voltage-Directive)

General details
The measures of the switching points refer to a fluid-density of 1 g/cm ³ . The tolerance of the switching points is ±2 mm Pay attention to the contact protection, when switching inductive or capacitive loads. Maximum data must not be exceeded!

Inductive loads
<div style="display: flex; justify-content: space-between;"> <div style="width: 22%;"> <p>Direct current</p>  <p>Suppression of voltage peaks with a free-wheeling diode</p> </div> <div style="width: 22%;"> <p>Alternating voltage</p>  <p>Suppression of voltage peaks with a VDR</p> </div> <div style="width: 22%;">  <p>Suppression of voltage peaks with an RC element</p> </div> <div style="width: 22%;">  </div> </div>
Capacitive loads and lamp loads
   <p>Contact protection with resistors for limiting current</p>