

# Float switch

## Series Standard-Float switch

Description **MAC-713 KTS 0365**

Article number **6815267004**

**Wiring diagram**  
(non-actuated state)

**Performance diagram**

U [V]	I [A]
24	0,500
48	0,500
120	0,250
230	0,130

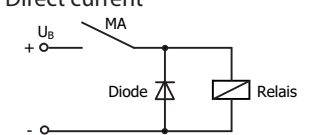
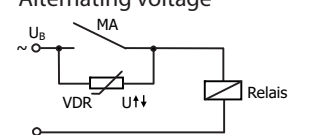
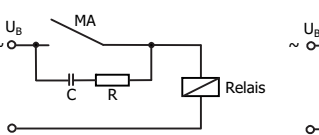
Electrical data	
Rated voltage	$U_r$ 250 V
max. switching current	0,5 A
max. switching capacity	30 VA
Rated insulation voltage	$U_i$ 300 V AC
Rated impulse withstand voltage	$U_{imp}$ 4,4 kV AC
Overvoltage category	II
mechanical life	$10^7$ to $10^9$ switches
Switching element	1 C.O., falling level
Protection class	II (totally insulated)

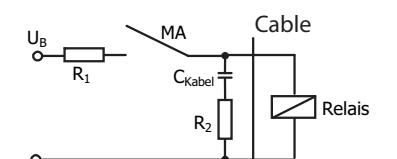
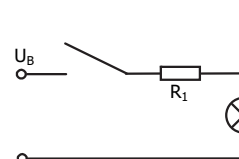
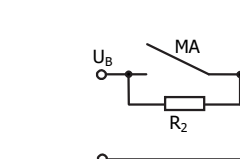
Mechanical data	
Flange material	PC
Switching tube material	CuZn37 (CW508L)
Float material	PP
- density	about 0,62 g/cm <sup>3</sup> ±10 %
- depth of immersion	30 mm ± 2 mm ( to a fluid-density of 1 g/cm <sup>3</sup> )
Grip screw material	CuSn8 (CW453K)
Gasket material	NBR
Ambient air temperature	-5 °C to +60 °C
Liquid temperature	-5 °C to +60 °C
Connection	Connector acc. to DIN EN 175 301-803
Protection type	IP 65 acc to IEC529 / EN 60529 (only in fully locked position with it's plugs)
Max. pressure	5 bar

Standards
DIN EN 60947-5-1

EU Conformity
acc. to directive 2014/35/EU

General details
The measures of the switching points refer to a fluid-density of 1 g/cm <sup>3</sup> . The tolerance of the switching points is ±2 mm Pay attention to the contact protection, when switching inductive or capacitive loads. Maximum data must not be exceeded!

Inductive loads
<div style="display: flex; justify-content: space-around;"> <div style="text-align: center;"> <p>Direct current</p>  <p>Suppression of voltage peaks with a free-wheeling diode</p> </div> <div style="text-align: center;"> <p>Alternating voltage</p>  <p>Suppression of voltage peaks with a VDR</p> </div> <div style="text-align: center;">  <p>Suppression of voltage peaks with an RC element</p> </div> </div>

Capacitive loads and lamp loads
   <p>Contact protection with resistors for limiting current</p>