

Float switch

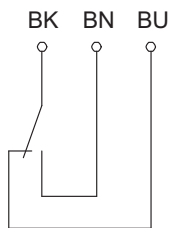
Series Standard-Float switch

Description **MAP-713 KSS 0340**

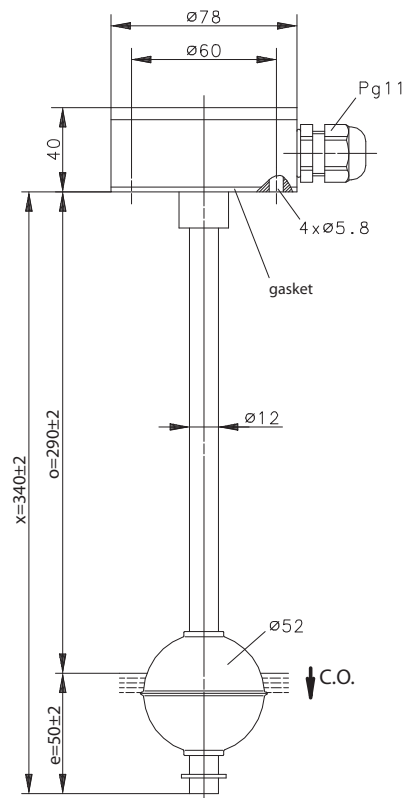
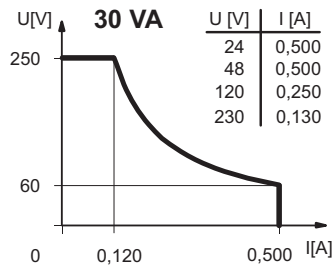
Article number **6815265013**

Wiring diagram

(non-actuated state)



Performance diagram



Electrical data

Rated voltage	U_r	250 V
max. switching current		0,5 A
max. switching capacity		30 VA
Rated insulation voltage	U_i	300 V AC
Rated impulse withstand voltage	U_{imp}	2,5 kV AC
Overvoltage category		II
Switching element		1 x C.O., falling level
Protection class		I

Mechanical data	
Terminal box material	Aluminium coated RAL 3016
Switching tube material	CuZn37 (2.0321)
Float material	X6CrNiMoTi 17-12-2 (1.4571)
- density	about 0,7 g/cm ³ ±10 %
- depth of immersion	32 mm ± 2 mm (to a fluid-density of 1 g/cm ³)
Grip screw material	CuSn8 (2.1030)
Gasket material	NBR
Ambient air temperature	-5 °C to +60 °C
Liquid temperature	-5 °C to +60 °C
Connection	Connecting block inside the terminal box
Protection type	IP 65 acc to IEC529 / EN 60529
Max. pressure	10 bar

Standards
DIN EN 60947-5-1

EU Conformity
acc. to directive 2014/35/EU

General details
The measures of the switching points refer to a fluid-density of 1 g/cm ³ . The tolerance of the switching points is ±2 mm Pay attention to the contact protection, when switching inductive or capacitive loads. Maximum data must not be exceeded!

Inductive loads

Direct current

Suppression of voltage peaks with a free-wheeling diode

Alternating voltage

Suppression of voltage peaks with a VDR

Suppression of voltage peaks with an RC element

Suppression of voltage peaks with an RC element

Capacitive loads and lamp loads

Contact protection with resistors for limiting current