

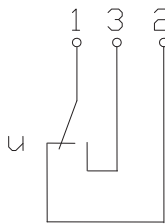
Float switch

Series Standard-Float switch

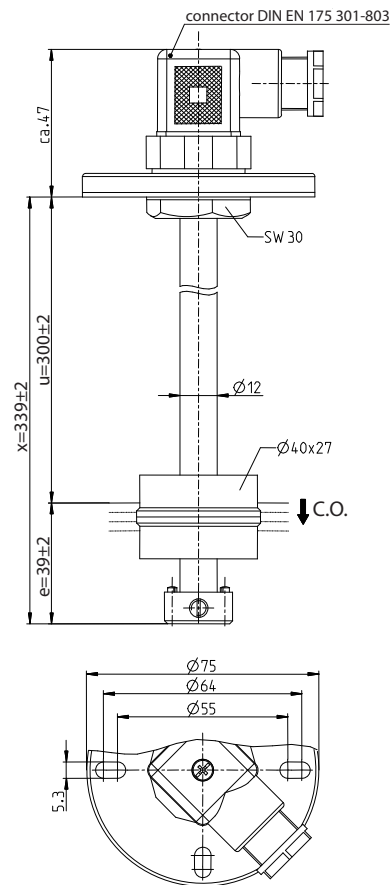
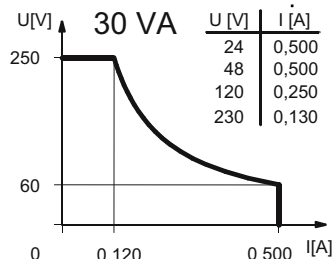
Description **MAM-713 KTS 0339**

Article number **6815210003**

Wiring diagram (non-actuated state)



Performance diagram



Electrical data			
Rated voltage	U_r	250 V	
max. switching current		0,5 A	
max. switching capacity		30 VA	
Rated insulation voltage	U_i	300 V AC	
Rated impulse withstand voltage	U_{imp}	4 kV AC	
Overvoltage category		II	
Switching element		1 x C.O., falling level	
Protection class		II (totally insulated)	

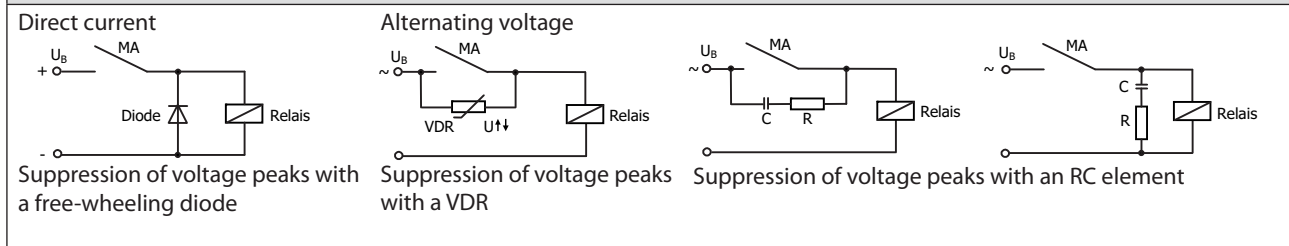
Mechanical data	
Flange material	PC
Switching tube material	CuZn37 (CW508L)
Float material	POM
- density	about 0,7 g/cm ³ ±10 %
- depth of immersion	18 mm ± 2 mm (to a fluid-density of 1 g/cm ³)
Adjusting ring material	X6CrNiMoTi17-12-2 (1.4571)
Gasket material	NBR
Ambient air temperature	-5 °C to +60 °C
Liquid temperature	-5 °C to +60 °C
Connection	Connector acc. to DIN EN 175 301-803
Protection type	IP 65 acc to IEC529 / EN 60529 (only in fully locked position with it's plugs)
Max. pressure	5 bar

Standards
DIN EN 60947-5-1

EU Conformity
acc. to directive 2014/35/EU (Low-Voltage-Directive)

General details
The measures of the switching points refer to a fluid-density of 1 g/cm ³ . The tolerance of the switching points is ±2 mm Pay attention to the contact protection, when switching inductive or capacitive loads. Maximum data must not be exceeded!

Inductive loads



Capacitive loads and lamp loads

