

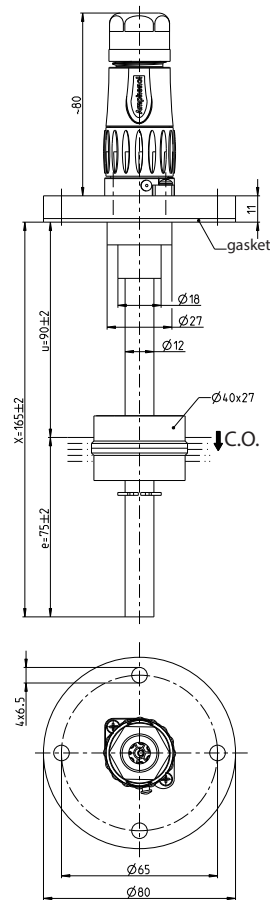
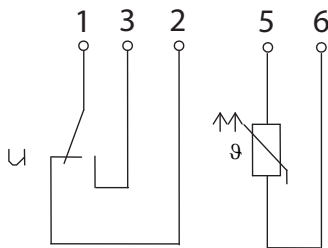
## Float switch

### Series Standard-Float switch

Description **MAM-713 KTT 0165**

Article number **6815200051**

#### Wiring diagram (non-actuated state)



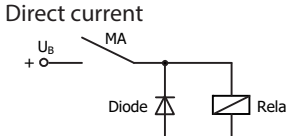
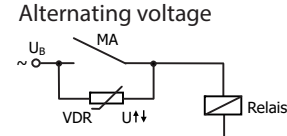
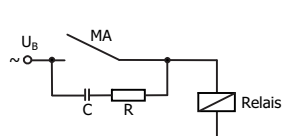
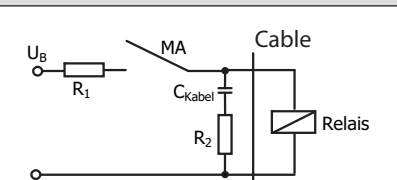
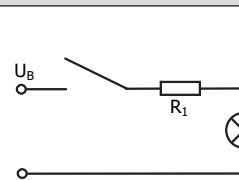
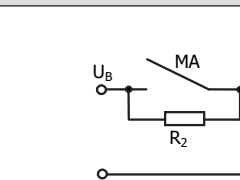
#### Electrical data

|                                 |           |   |
|---------------------------------|-----------|---|
| Rated voltage                   | $U_r$     | 36 V  |
| max. switching current          |           | 0,5 A   |
| max. switching capacity         |           | 30 VA   |
| Rated insulation voltage        | $U_i$     | 50 V AC   |
| Rated impulse withstand voltage | $U_{imp}$ | 500 V AC  |
| Overvoltage category            |           | II  |
| Switching element               |           | 1 C.O., falling level<br>PTC-Temperature sensor KTY81-210 |

| Mechanical data         |   |
|-------------------------|---|
| Flange material         | POM   |
| Switching tube material | CuZn37 (CW508L)   |
| Float material          | POM   |
| - density               | about 0,7 g/cm <sup>3</sup> ±10 %   |
| - depth of immersion    | 18 mm ± 2 mm ( to a fluid-density of 1 g/cm <sup>3</sup> )  |
| Grip screw material     | CuSn8 (CW453K)  |
| Gasket material         | NBR   |
| Ambient air temperature | -5 °C to +60 °C   |
| Liquid temperature      | -5 °C to +60 °C   |
| Connection              | Circular plug-in connector Ampheol Serie eco/mate <sup>m</sup> ;<br>Strain relief with clamping cage for cable diameter 6-12,5 mm |
| Protection type         | IP 65 acc to IEC529 / EN 60529<br>(only in fully locked position with it's plugs)   |
| Max. pressure           | 5 bar   |

| Standards        |
|------------------|
| DIN EN 60947-5-1 |

| General details   |
|---|
| <p>The measures of the switching points refer to a fluid-density of 1 g/cm<sup>3</sup>.<br/>                     The tolerance of the switching points is ±2 mm<br/>                     Pay attention to the contact protection, when switching inductive or capacitive loads. Maximum data must not be exceeded!<br/>                     For measurements with resistance thermometers constructive or y measurement-related influences can affect the measuring result!</p> |

| Inductive loads   |  |   |
|---|--|---|
| <p><b>Direct current</b></p>  <p>Suppression of voltage peaks with a free-wheeling diode</p> | <p><b>Alternating voltage</b></p>  <p>Suppression of voltage peaks with a VDR</p> |  <p>Suppression of voltage peaks with an RC element</p> |
| Capacitive loads and lamp loads   |  |   |
|  <p>Contact protection with resistors for limiting current</p>                               |   |   |