

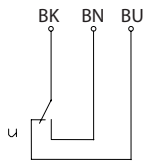
# Float switch

## Series Standard-Float switch

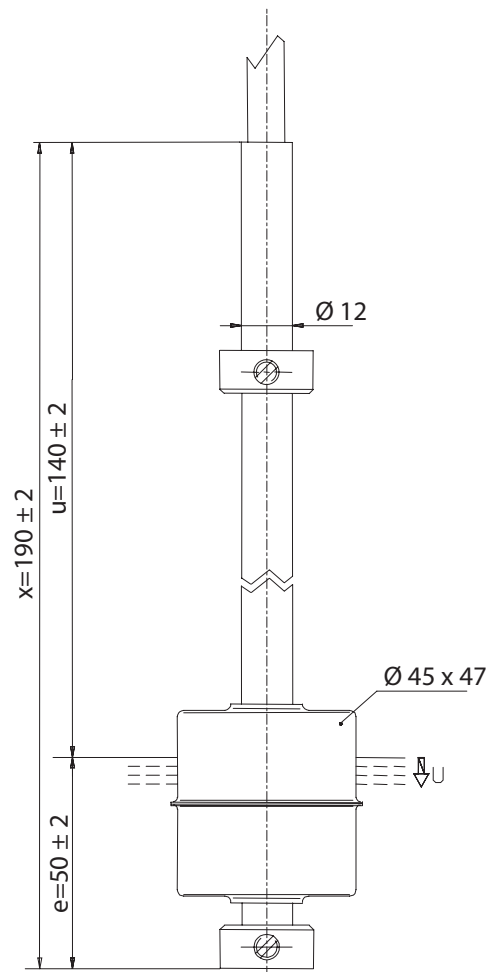
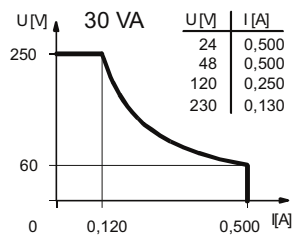
Description **MAN-713 K-S 0190**

Article number **6815100057**

### Wiring diagram (non-actuated state)



### Performance diagram



Electrical data		
Rated voltage	$U_r$	250 V
max. switching current		0,5 A
max. switching capacity		30 VA
Rated insulation voltage	$U_i$	300 V AC
Rated impulse withstand voltage	$U_{imp}$	4 kV AC
Overvoltage category		II
mechanical life		$10^7$ to $10^9$ switches
Switching element		1 C.O., falling level
Protection class		II, totally insulated

Mechanical data	
Switching tube material	X6CrNiMoTi17-12-2 (1.4571)
Float material	X6CrNiMoTi17-12-2 (1.4571)
- density	about 0,65 g/cm <sup>3</sup> ±10 %
- depth of immersion	32 mm ± 2 mm ( to a fluid-density of 1 g/cm <sup>3</sup> )
Adjusting ring material	X6CrNiMoTi17-12-2 (1.4571)
Ambient air temperature	-20 °C to +125 °C
Liquid temperature	-20 °C to +125 °C
Connection	Cable 4 x 0,75 mm <sup>2</sup> x 2 m ± 5 %, Silicone; litz wire GNYE pinched off
Protection type	IP 65 acc to IEC529 / EN 60529
Max. pressure	5 bar

EU Conformity
acc. to directive 2014/35/EU

**General details**

The measures of the switching points refer to a fluid-density of 1 g/cm<sup>3</sup>.  
 The tolerance of the switching points is ±2 mm  
 Pay attention to the contact protection, when switching inductive or capacitive loads. Maximum data must not be exceeded!

