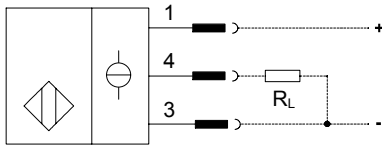


Series Q60

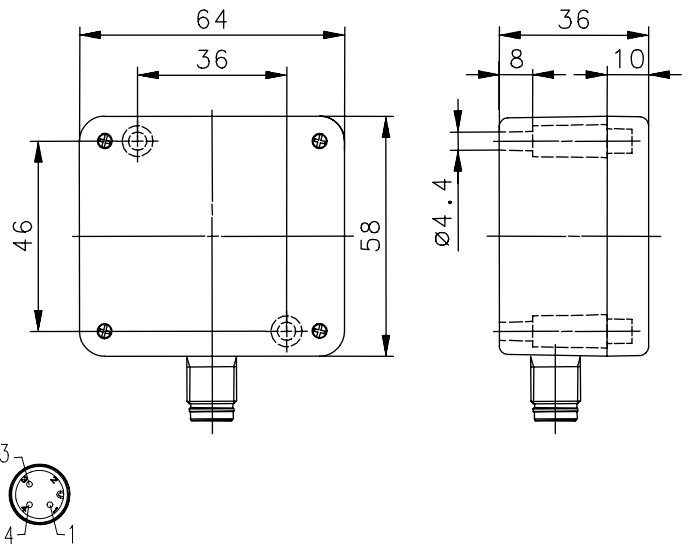
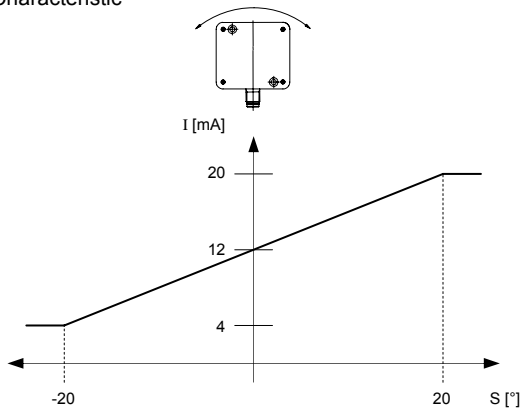
Description **KAW-Q60IA/040-S12U**

Article number **6705099015**

Wiring Diagram



Characteristic



Identifying characteristics

Electrical data

| | | |
|---------------------------|-------|--|
| Working range | S | $\pm 20^\circ$ (other working ranges upon request) |
| Mounting | | vertical, cable down |
| Current output | I | 4 ... 20 mA |
| Resolution | | $\leq 0,3^\circ$ |
| Repeat accuracy | R | $\leq 0,4^\circ$ |
| Non-linearity | | $\leq 2^\circ$ |
| Temperature drift | | $\leq 1,5^\circ$ (-40 °C ... +80 °C) |
| Load impedance | R_L | 0 ... 250 Ω , @ $U_B = 12$ V; 0 ... 500 Ω , @ $U_B = 24$ V |
| Filter time | t | 500 ms |
| Operational voltage range | U_B | 10 - 53 VDC |
| No-load supply current | I_o | ≤ 15 mA |
| False polarity protection | | yes |

Electromagnetic compatibility (EMC)

| | | |
|---|---------------|---|
| Electromagnetic field test | IEC 61000-4-3 | 10 V/m |
| Electrostatic discharge test | IEC 61000-4-2 | 4 kV |
| Electrical fast transient immunity test (Burst) | IEC 61000-4-4 | 2 kV, coupling clamp |
| Impulse voltage withstand ability (Surge) | IEC 61000-4-5 | 1000 V, 1,2/50 μ s @ $R_i = 42$ Ohm |
| Radiated disturbance field strength | EN 55011 | ≤ 40 dB (μ V/m) |

Mechanical Data

| | |
|-------------------------|--|
| Enclosure | 58 x 64 x 36 mm; Aluminium, coated |
| Weight | ≈ 230 g |
| Ambient air temperature | -40 °C ... +80 °C (cable fixed mounted; $U_B = 24$ V) |
| Type of protection | IP67 (NEMA 4; only in fully locked position with it's plugs resp. Ultralock plug-in-connector) |
| Termination type | Plug socket Ultralock M12 x 1 |
| Shock | 10-55 Hz; a = 1 mm |
| Vibration | 30 g; $t_{stoss} = 11$ ms |

EU Conformity



This document will not become the contractual basis; the details included herein do not constitute any descriptions of expected conditions, so that warranties/claims for defects on account of possible variations of the actual qualities from the qualities described herein are explicitly excluded. All rights reserved. Specifications subject to change without notice!

Date of issue: 11.12.2008 / Page 1 of 1
Document : 6705099015_en.doc / Last update: 1 / 0350-08