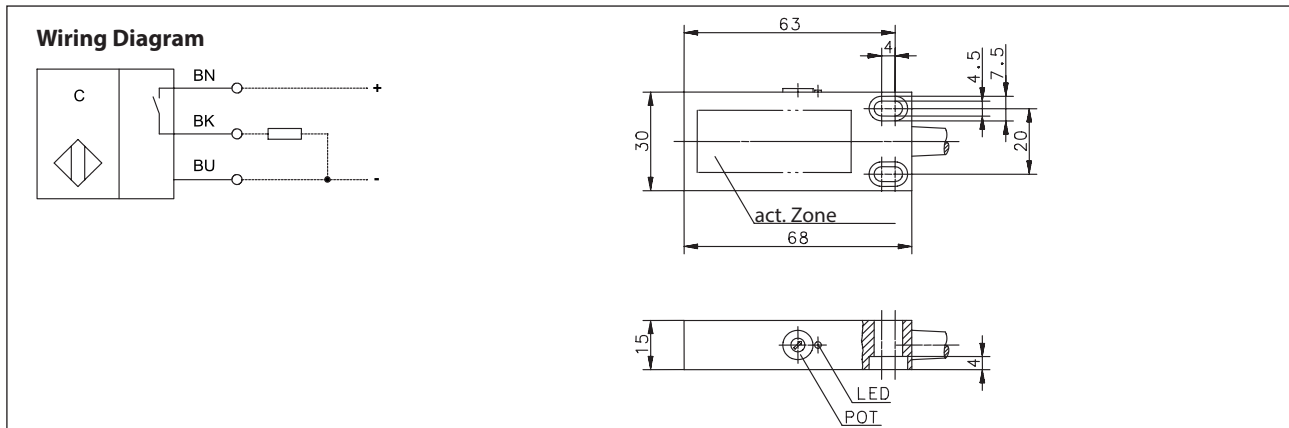


## Capacitive Proximity Switch Series E68

Description **KCB-E68PS/010-KL2,5P**

Article number **6607956929**



### Identifying characteristics in accordance with EN 60947-5-2

| Electrical data                  |           |  |
|----------------------------------|-----------|--|
| Rated operating distance         | $S_n$     | 10 mm  |
| Mounting                         |           | flush  |
| Standard target                  |           | 57 x 30 x 1 mm; material: steel; connected to earth  |
| Effective operating distance     | $S_r$     | 3-10 mm; $S_r$ adjustable with potentiometer (POT); turn right $\hat{=}$ high sensitivity, turn left $\hat{=}$ low sensitivity |
| Assured operating distance       | $S_a$     | $0 \leq S_a \leq 0,8 \cdot S_r$  |
| Switching element function       |           | N.O.   |
| Repeat accuracy                  | R         | $\leq 0,1 \cdot S_r$   |
| Differential travel (hysteresis) | H         | $\leq 0,2 \cdot S_r$   |
| Frequency of operating cycles    | f         | $\approx 25$ Hz  |
| Rate doperational voltage        | $U_e$     | 12 V - 24 V DC   |
| Operational voltage range        | $U_B$     | 10 V - 36 V DC   |
| Rated insulation voltage         | $U_i$     | 75 V DC  |
| Rated impulse withstand voltage  | $U_{imp}$ | 500 V  |
| Voltage drop                     | $U_d$     | $\leq 1,5$ V DC  |
| Utilization category             |           | DC-13 (Switching element)  |
| Rated operational current        | $I_e$     | $\leq 200$ mA DC   |
| Minimum operational current      | $I_m$     | $\geq 1$ mA DC   |
| Off-state current                | $I_r$     | $\leq 0,5$ mA DC   |
| No-load supply current           | $I_o$     | $\leq 15$ mA DC  |
| Switching element                |           | permanent overload and s.c.p.  |
| Short-circuit protection         |           | pulsed   |
| False polarity protection        |           | with permutation of +, -, output no damage occurs  |
| Time delay before availability   | $t_v$     | $\leq 50$ ms   |

| <b>Electromagnetic compatibility (EMC)</b>      |               |                      |
|---|---------------|----------------------|
| Electromagnetic field test                      | IEC 61000-4-3 | 3 V/m, 80...1000 MHz |
| Electrostatic discharge test                    | IEC 61000-4-2 | 8 kV AD              |
| Electrical fast transient immunity test (Burst) | IEC 61000-4-4 | 1kV coupling clamp   |
| Radiated disturbance field strength             | EN 55011      | ≤ 40 dB (µV/m)       |

| <b>Mechanical Data</b>  |  |
|-------------------------|--|
| Enclosure               | PBT, black   |
| Ambient air temperature | -25 °C ... +70 °C  |
| Type of protection      | IP65   |
| Pollution degree        | 3 (Pollution of the active zone can cause impairments of the operating distances.) |
| Indication              | Output ON = LED yellow   |
| Termination type        | Cable 3 x 0,5 mm <sup>2</sup> x 2,5 m, PVC-outer jacket black                      |

| <b>EU Conformity</b>              |  |
|-----------------------------------|--|
| acc. to directive 2004 / 108 / EC |  |

## EG-Konformitätserklärung / EC-Declaration of Conformity / Déclaration de conformité - CE

Diese Konformitätserklärung entspricht der europäischen Norm DIN EN ISO/IEC 17050-1:

Konformitätsbewertung – Konformitätserklärung von Anbietern – Teil 1: Allgemeine Anforderungen. Die Grundlage der Kriterien sind internationale Dokumente, insbesondere ISO/IEC-Leitfaden 22, 1982, Informations on manufacturer's declaration of conformity with standards or other technical specifications. Die deutsche Sprachfassung ist die Originalkonformitätserklärung. Bei anderen Sprachen handelt es sich um die Übersetzung der Originalkonformitätserklärung.

This Declaration of Conformity is suitable to the European Standard EN ISO/IEC 17050-1:

Conformity assessment – Supplier's declaration of conformity – Part 1: General requirements. The basis for the criteria has been found in international documentation, particularly in: ISO/IEC Guide 22, 1982, Informations on manufacturer's declaration of conformity with standards or other technical specifications. The original Declaration of Conformity is the German language version. Other languages are a translation of the original Declaration of Conformity.

Cette déclaration de conformité correspond au Norme Européenne EN ISO/IEC 17050-1: Évaluation de la conformité – Déclaration de conformité du fournisseur – Partie 1: Exigences générales.

La base des directives sont des documents internationaux répondant à ISO/IEC-Guide 22, 1982, Informations on manufacturer's declaration of conformity with standards or other technical specifications. La version allemande est la langue d'origine de la déclaration de conformité. Les autres langues ne sont qu'une traduction de la déclaration de conformité en langue allemande.

Wir / We / Nous

**BERNSTEIN AG**

(Name des Anbieters) / (Supplier's name) / (Nom du fournisseur)

**Hans-Bernstein-Straße 1  
D-32457 Porta Westfalica**

(Anschrift) / (Address) / (Adresse)

erklären in alleiniger Verantwortung, dass das (die) Produkt(e):  
declare under our sole responsibility that the product(s):  
déclarons sous notre seule responsabilité que le(s) produit(s):

**KCB-E68PS/010-KL2,5P Artikelnummer 660.7956.929**

(Bezeichnung, Typ oder Modell, Los-, Chargen- oder Serien-Nr., möglichst Herkunft und Stückzahl)  
(Name, type or model, batch or serial number, possibly sources and number of items)  
(Nom, type ou modèle, n° de lot, d'échantillon ou de série, éventuellement les sources et le nombre d'exemplaires)

mit folgenden Europäischen Richtlinien übereinstimmt (übereinstimmen):  
is (are) in conformity with the following directives:  
est (sont) conforme(s) aux directives européennes:

**EMV-Richtlinie-Nr.: 2004/108/EG**

Dies wird nachgewiesen durch die Einhaltung folgender Norm(en):  
This is documented by the accordance with the following standard(s):  
Notre justification est l'observation de la (des) norme(s) suivante(s):

**EN 60947-5-2 : 2014-01**

Porta Westfalica, 10.09.2015

(Ort und Datum der Ausstellung)

(Place and date of issue)

(Date et lieu)

Gisela Bernstein

Vorstandsvorsitzende

(Name, Position, Unterschrift)

(Name, status, signature)

(Nom, fonction, signature)